



BTS
ALUMINIUM



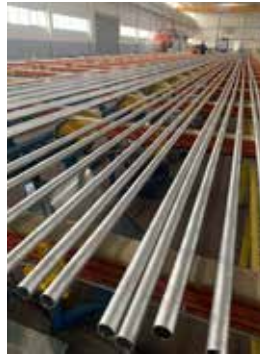
Standards stay the same,
innovation never ends...

SOLAR PV MOUNTING SYSTEMS



BTS
ALUMINIUM

btsaluminium.com



Our company, which started its business life with the production of aluminum accessories in 1988, today is proud of being a brand in aluminum outdoor systems. Today, BTS Aluminium is delivering its products more than 50 countries in 5 continents. Our aluminum profile extrusion facility is located in Kırklareli/Turkey and equipped with modern machinery with the latest technologies for extrusion. Our Company, who led the producing of outdoor systems in Turkey and exported its products to international markets, is still continue to develop itself, finding new solutions with new products and increasing its reliability.

Our product range is:

- Solar PV Mounting Systems
- Frameless Glass Railing Systems
- Veranda / Wintergarden System
- Aluminium Fence Systems
- Rising Glass Railing / Windbreaker Systems
- Vertical Sliding Guillotine Glass Wall System
- Sliding Glass Systems
- Glass Canopy
- Aluminium Railing Systems

We constantly work to satisfy our customers' demands to the very fullest. Our company which has as principles the full customer's satisfaction, best service and high quality in products is exporting the %85 of its production. We are giving enormous importance to develop continuously new products in order to give the best service in this field. Since first day, we have always tried to develop ourselves and our products and offer innovations to our customers.

That's why we say!

"Standards stay the same, innovation never ends!"

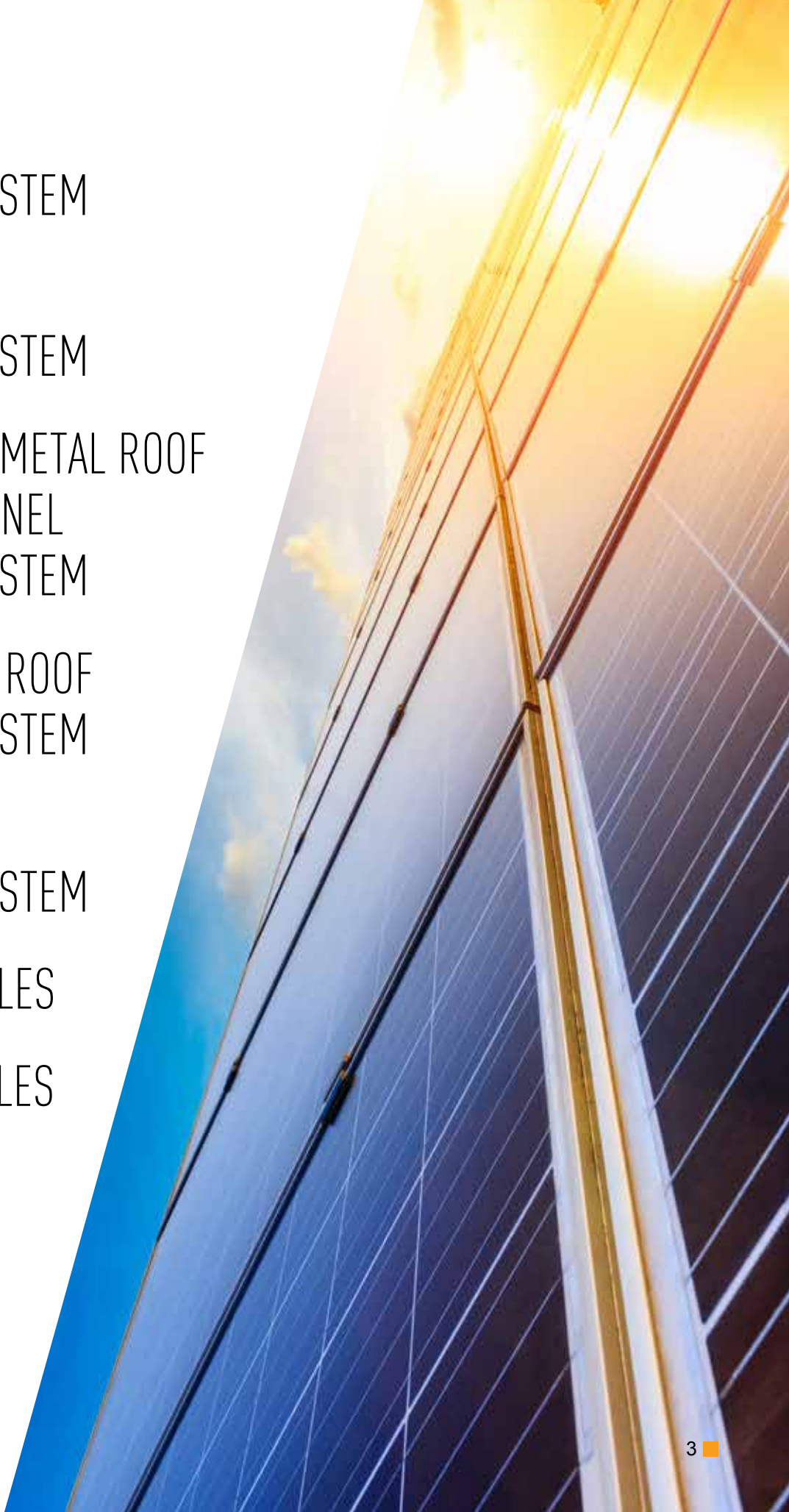


SOLAR PROFILES EXTRUSION

BASIC VALUES OF PROFILE (minimum)

BILLET NORM	Thermal Operation	MECHANICAL PROPERTIES					PHYSICAL PROPERTIES					OTHER PROPERTIES			
		Yield Strength (N/mm ²)	Tensile Strength (N/mm ²)	Elongation% (50 mm) mm/mm	Hardness (kg/mm ²)	Cutting Strength (kg/mm ²)	Specific Gravity (gr/cm ³)	Elasticity Module (kg/mm ²)	Thermal Conductivity (cal/cmS°C)	Expansion Coefficient (20-100°C/°C)	Electrical Strength (20°C ohm mm ² /mm)	Corrosion Strength	Welding Ability	Powder Coating Thickness M	Anodising Thickness M
ETINORM : ETIAL-60 T.S.E : AIMgSi0.5 DIN (GERMANY) : AIMgSi0.5 USA (AA) : 6063	T6	165	204	13,6	11-14 Webster 65-75 HB	11,5	2,71	6900	0,48	23x10 ⁻⁶	0,033	Very Good	Good	75-100	10-12

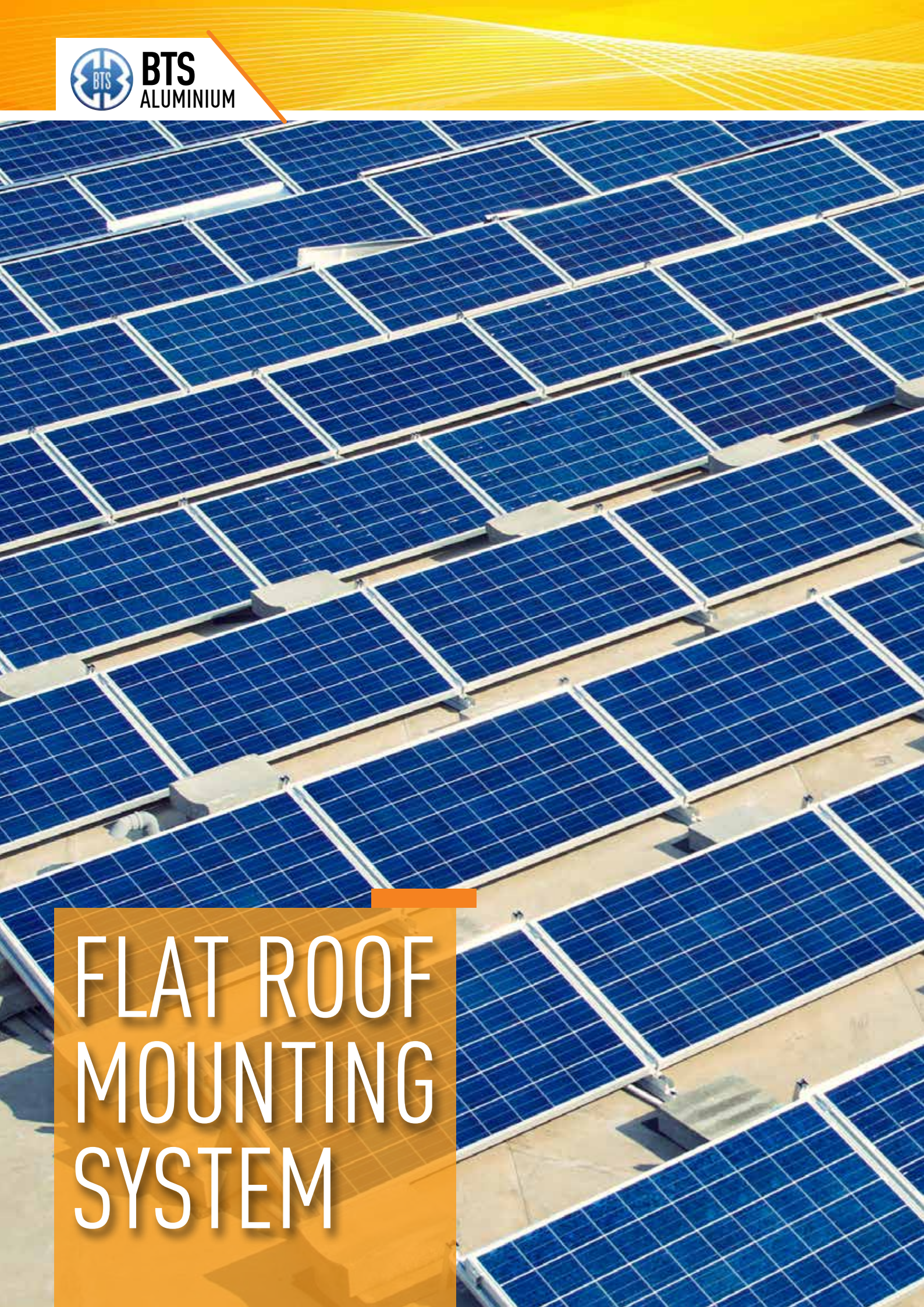


- 
- 04 FLAT ROOF
MOUNTING SYSTEM
 - 08 TILE ROOF
MOUNTING SYSTEM
 - 12 TRAPEZOIDAL METAL ROOF
SANDWICH PANEL
MOUNTING SYSTEM
 - 20 METAL SHEET ROOF
MOUNTING SYSTEM
 - 24 LAND TYPE
MOUNTING SYSTEM
 - 30 FRAME PROFILES
 - 31 CLAMP PROFILES
 - 32 CLAMPS

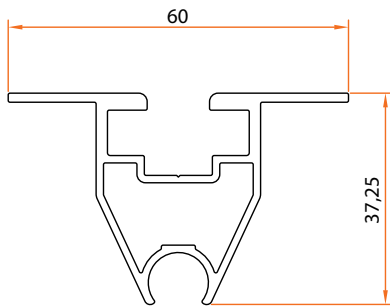


BTS
ALUMINIUM

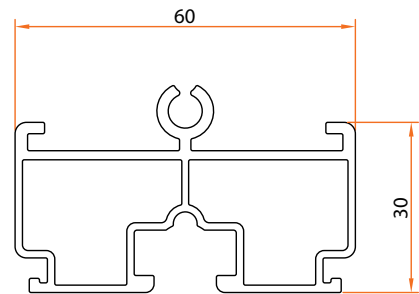
FLAT ROOF MOUNTING SYSTEM



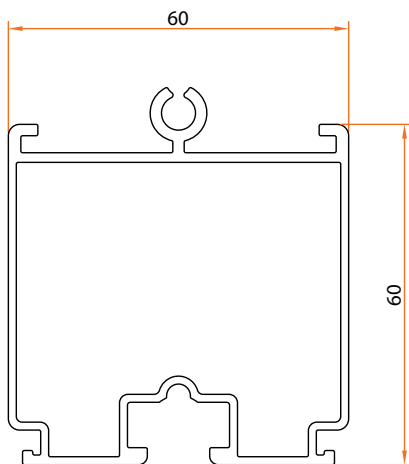
FLAT ROOF MOUNTING SYSTEM



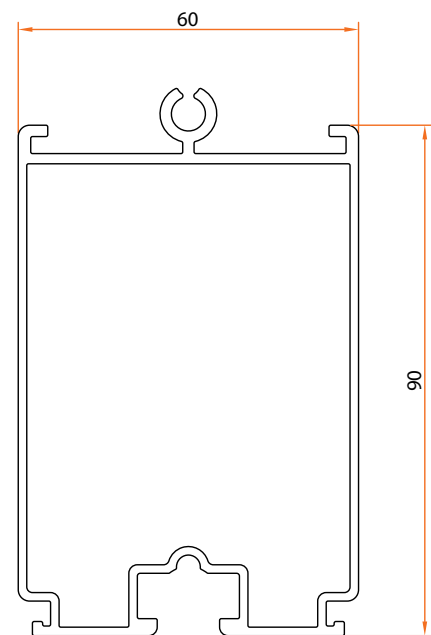
Code: **1408**
0,752 kg/m



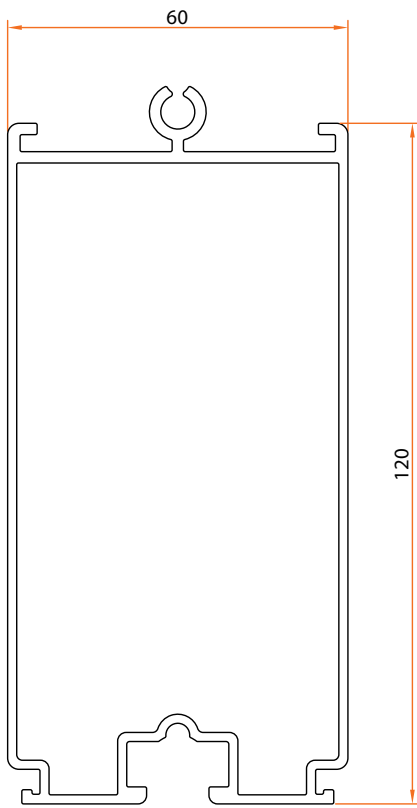
Code: **1409**
1,045 kg/m



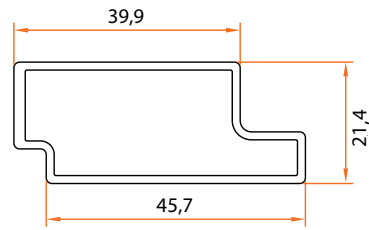
Code: **1410**
1,297 kg/m



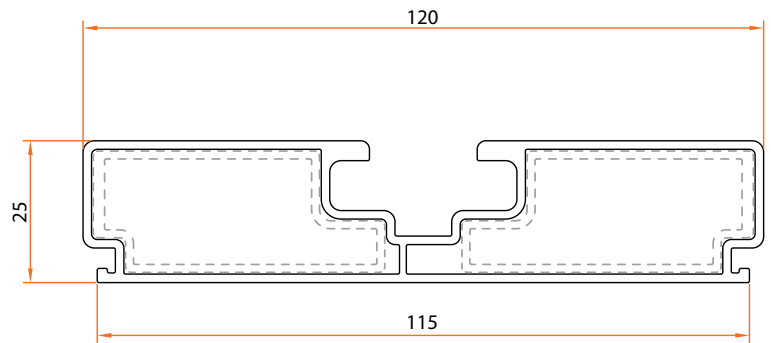
Code: **1427**
1,607 kg/m



Code: **1411**
1,964 kg/m

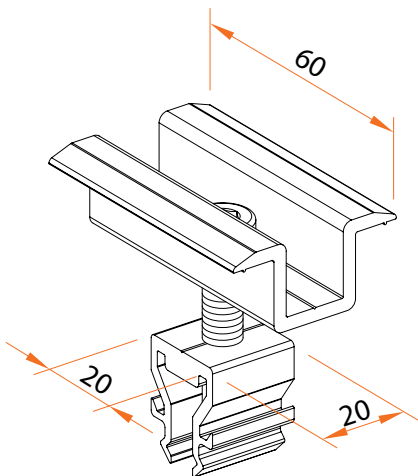


Code: **1428**
0,541 kg/m

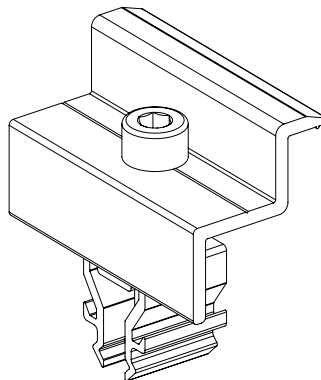


Code: **1412**
1,455 kg/m

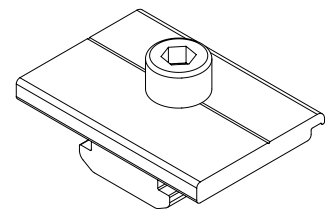
CLAMPS



Code: **AK-5410**



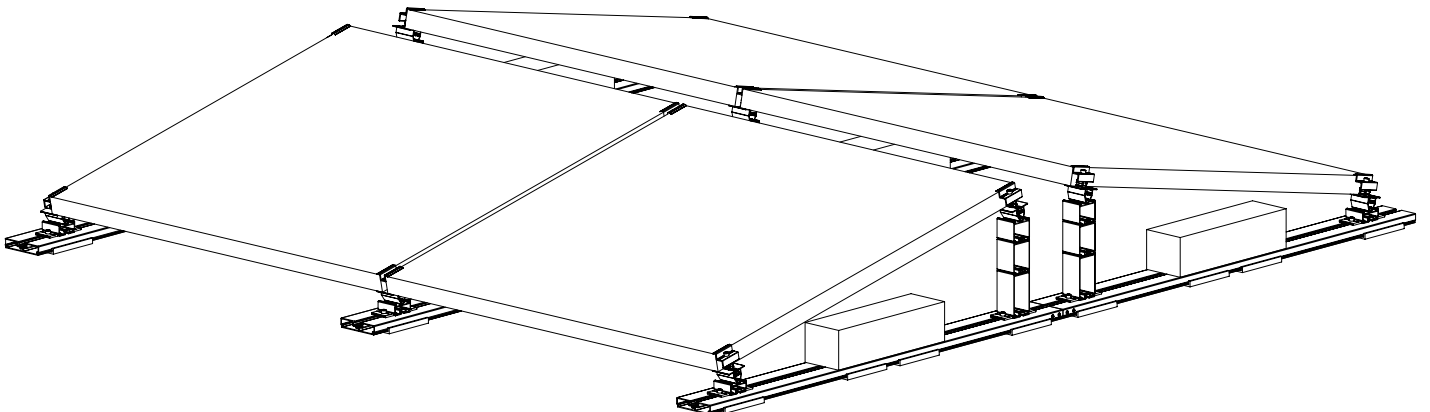
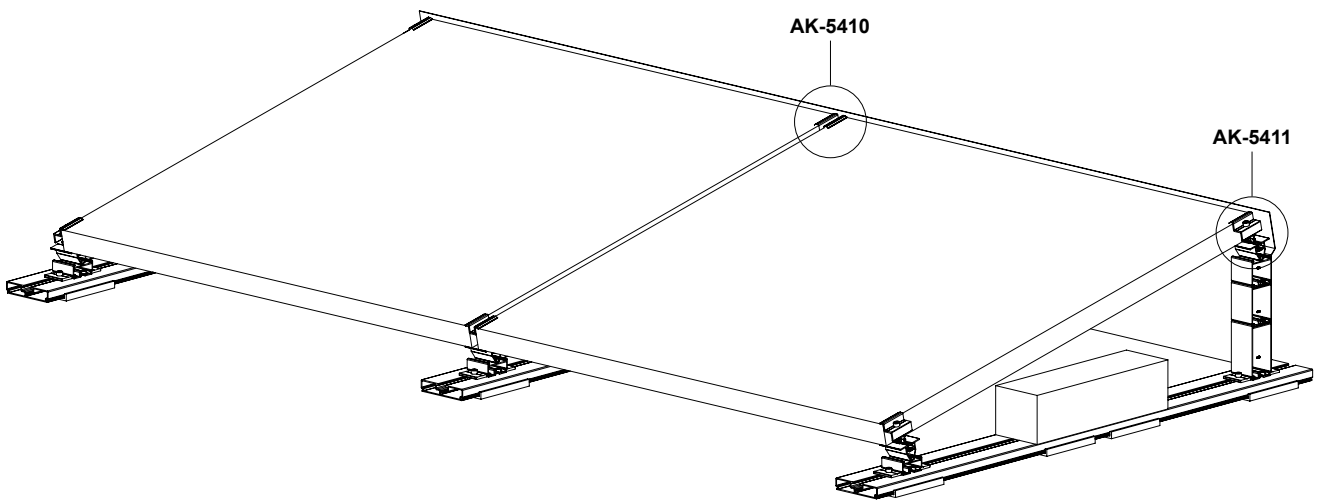
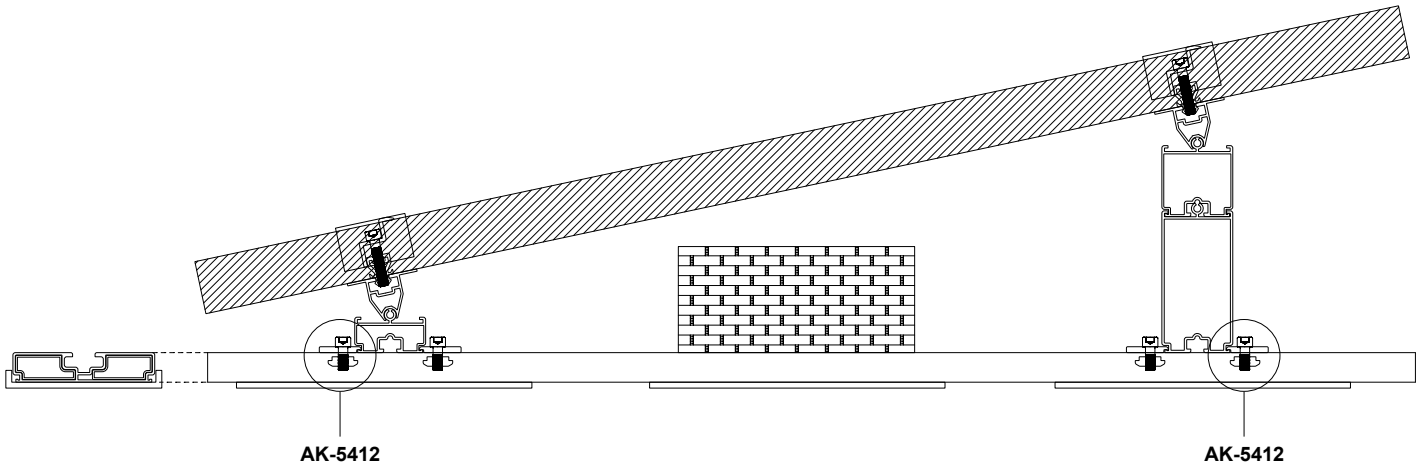
Code: **AK-5411**



Code: **AK-5412**

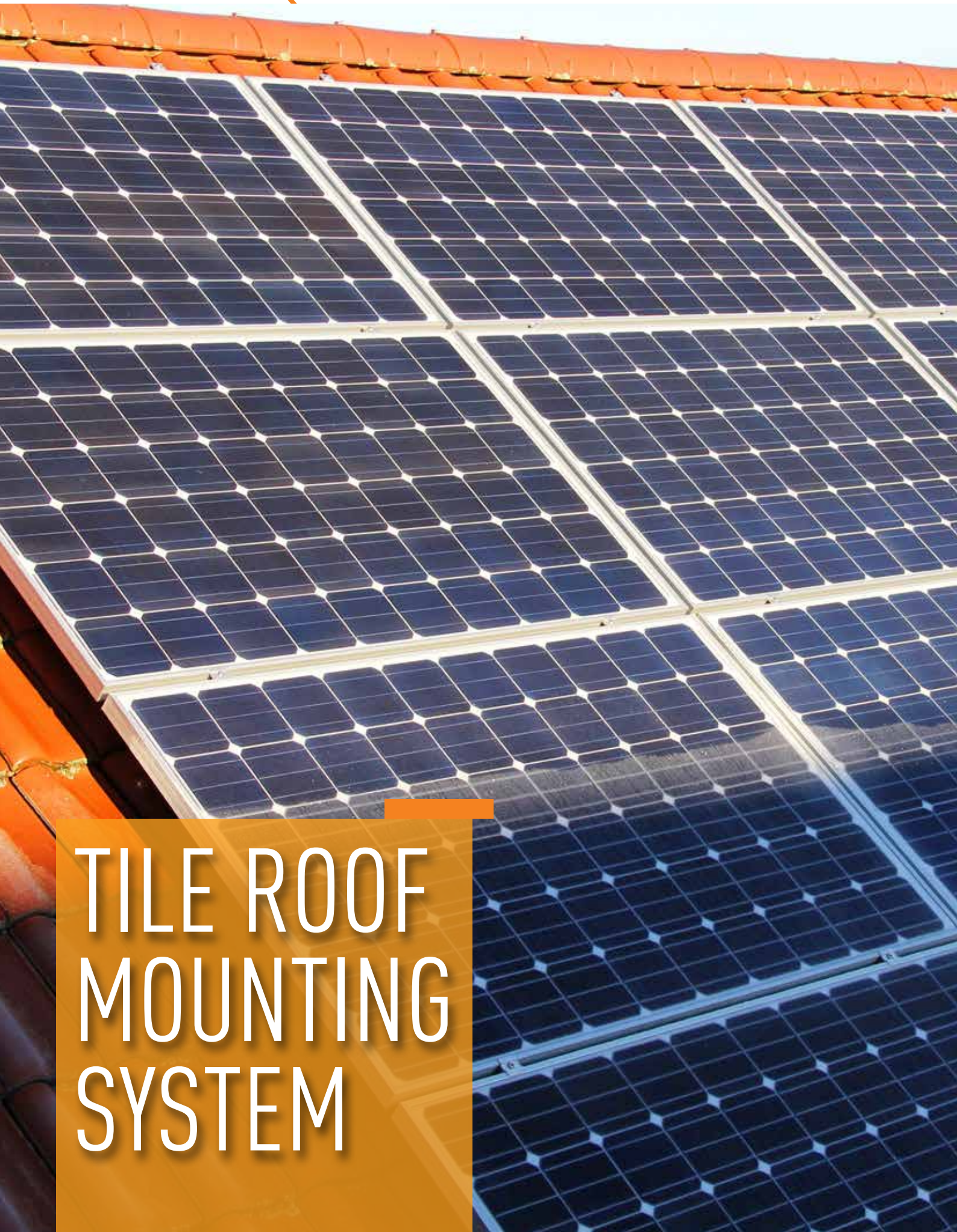
FLAT ROOF MOUNTING SYSTEM

12°



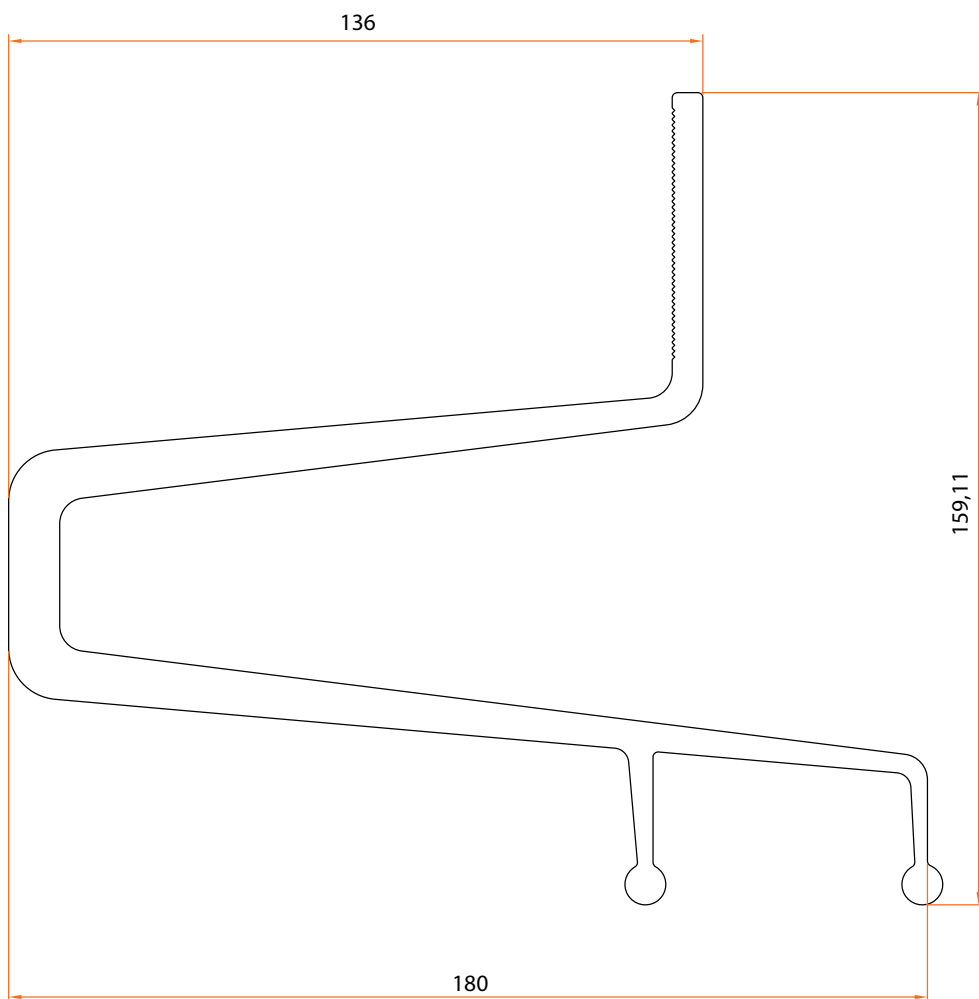


BTS
ALUMINIUM

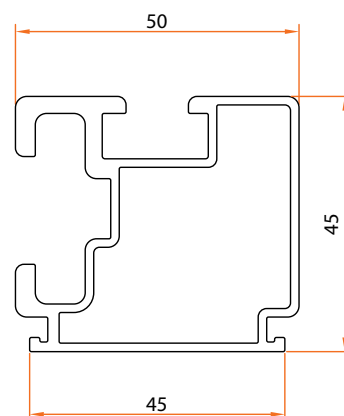


TILE ROOF MOUNTING SYSTEM

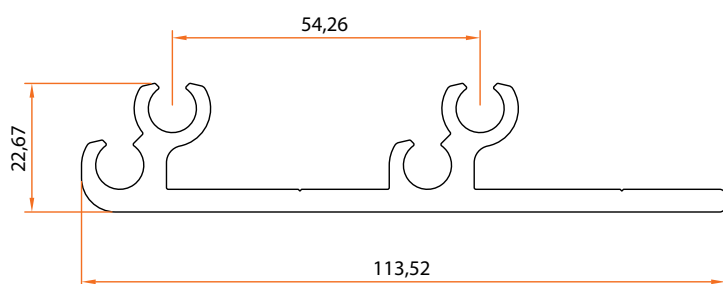
TILE ROOF MOUNTING SYSTEM



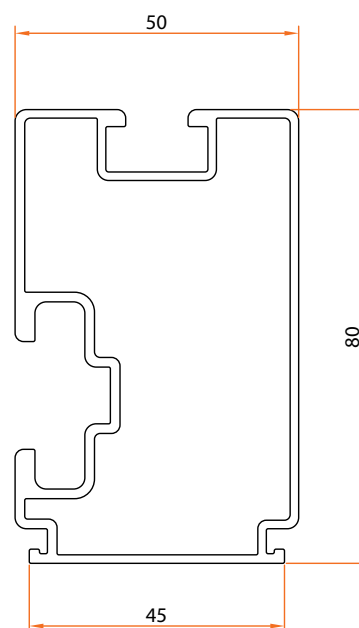
Code: **1425**
8,568 kg/m



Code: **1415**
1,195 kg/m

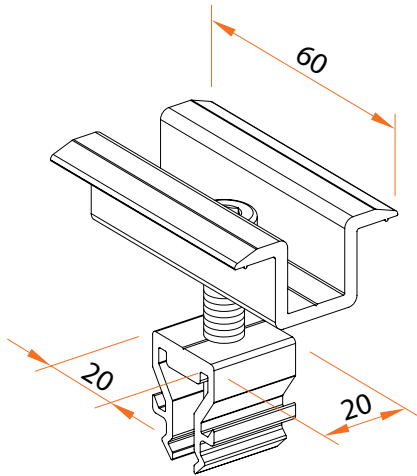


Code: **1426**
1,944 kg/m

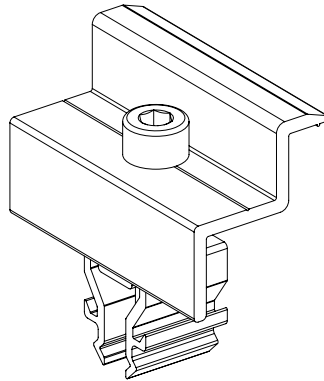


Code: **1430**
1,518 kg/m

CLAMPS

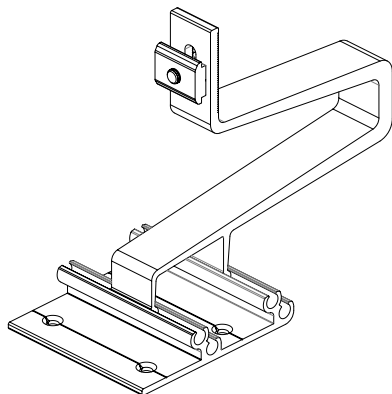


Code: **AK-5410**

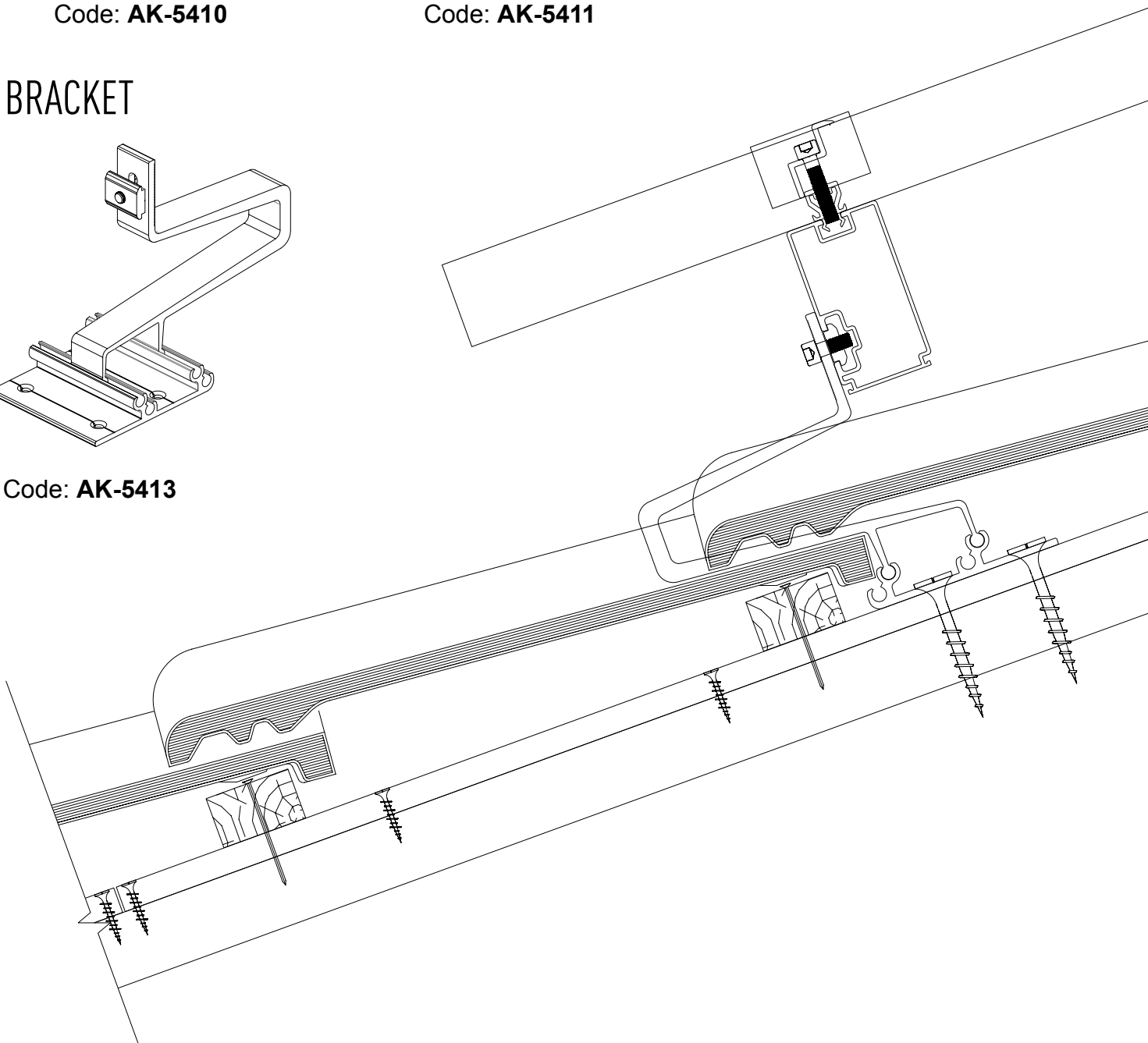


Code: **AK-5411**

BRACKET

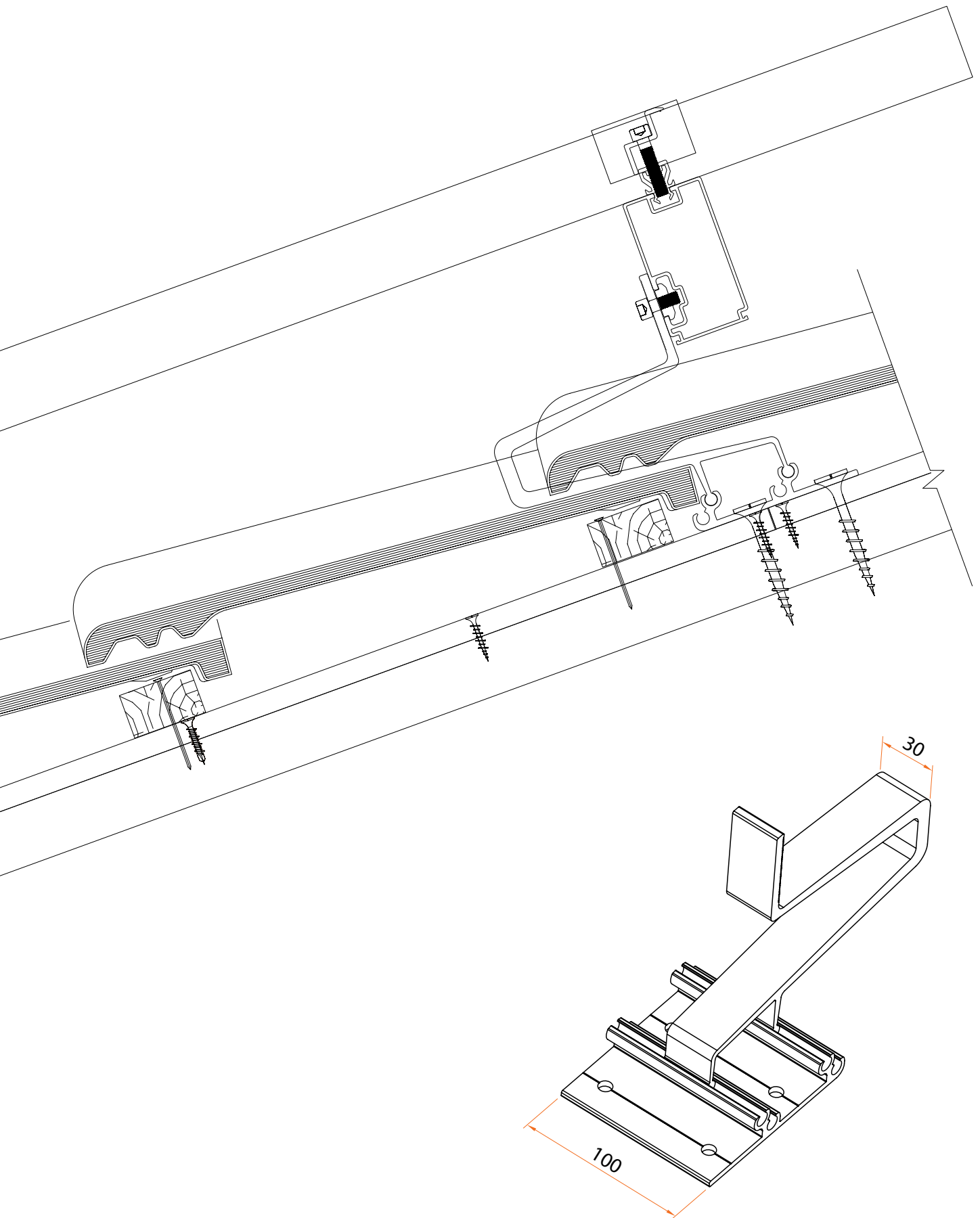


Code: **AK-5413**



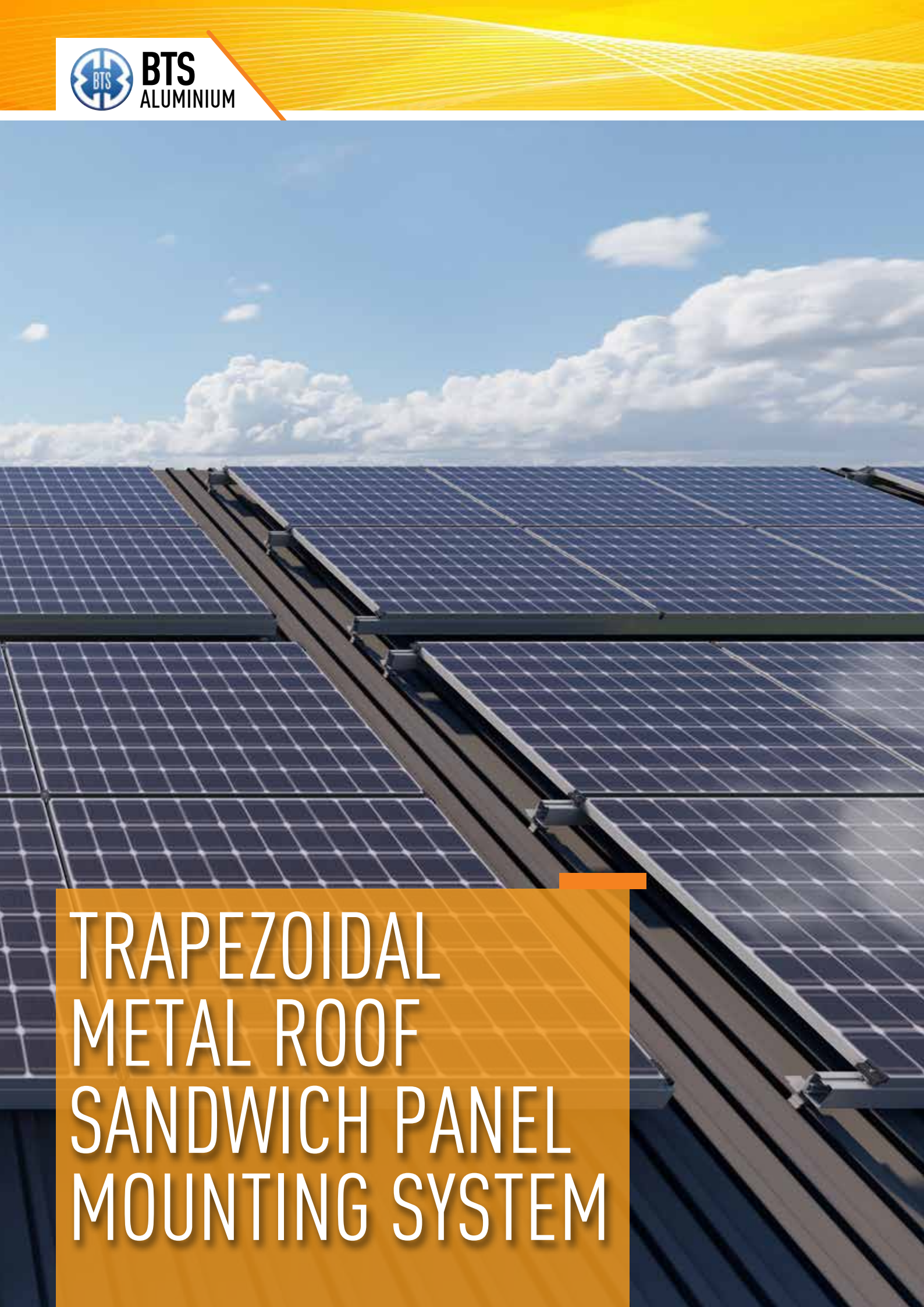
TILE ROOF MOUNTING SYSTEM

20°



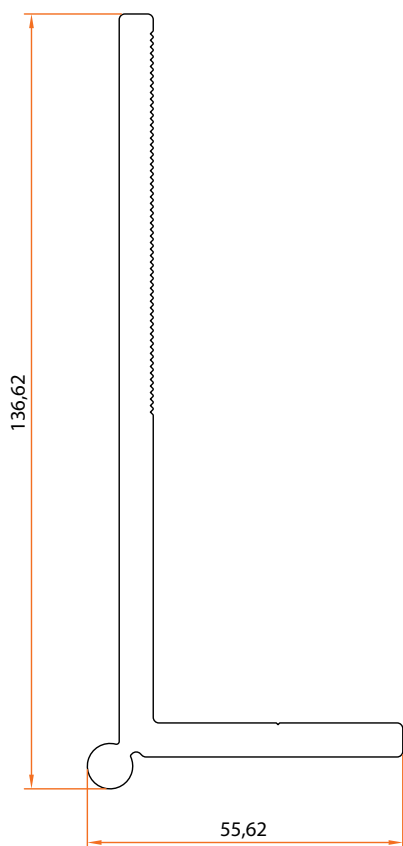


BTS
ALUMINIUM

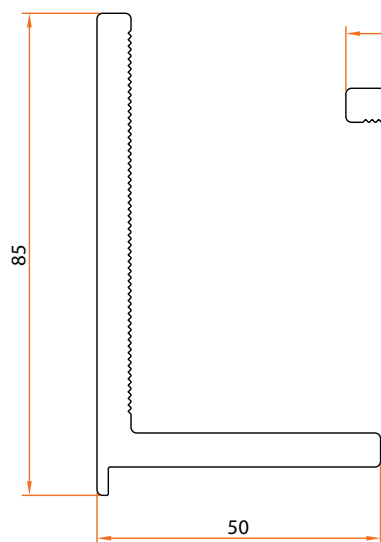
A photograph showing a large array of solar panels installed on a trapezoidal metal roof. The panels are dark blue with a grid pattern, and the roof structure is made of silver metal. The background shows a clear blue sky with scattered white clouds.

TRAPEZOIDAL METAL ROOF SANDWICH PANEL MOUNTING SYSTEM

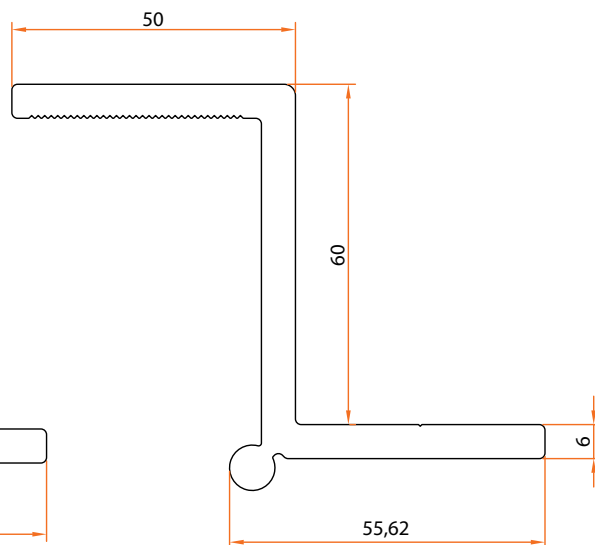
TRAPEZOIDAL METAL ROOF / SANDWICH PANEL MOUNTING SYSTEMS



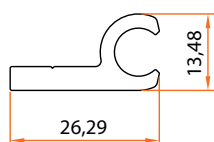
Code: 1429
2,929 kg/m



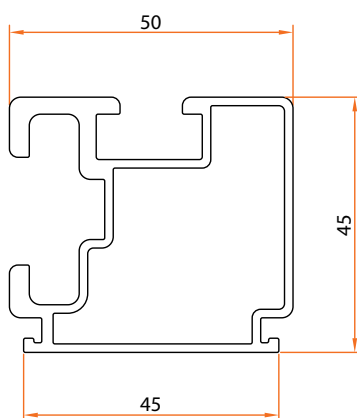
Code: 1413
2,002 kg/m



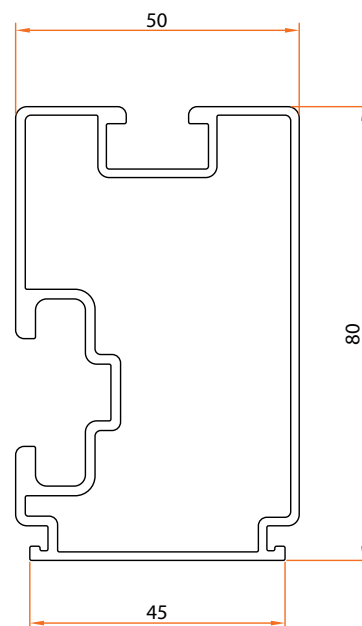
Code: 1414
2,604 kg/m



Code: 1416
0,373 kg/m

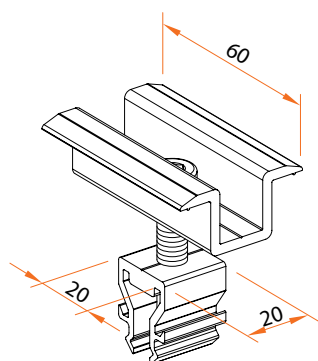


Code: 1415
1,195 kg/m

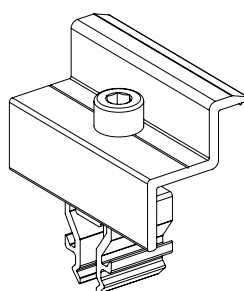


Code: 1430
1,518 kg/m

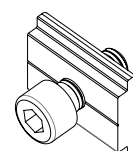
CLAMPS



Code: AK-5410

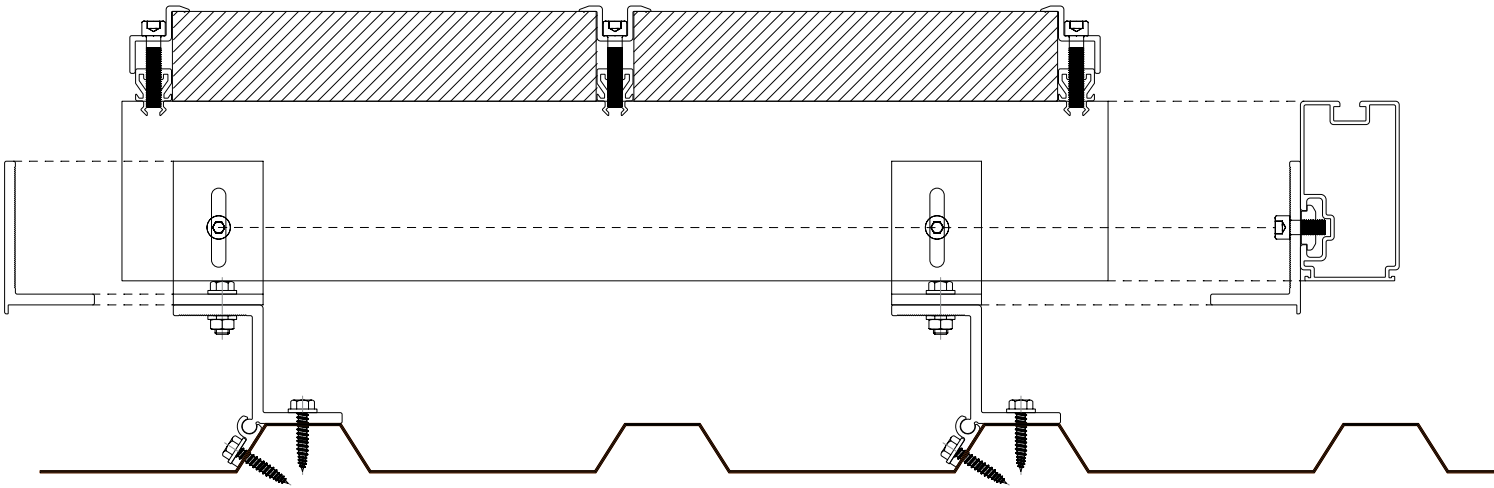


Code: AK-5411

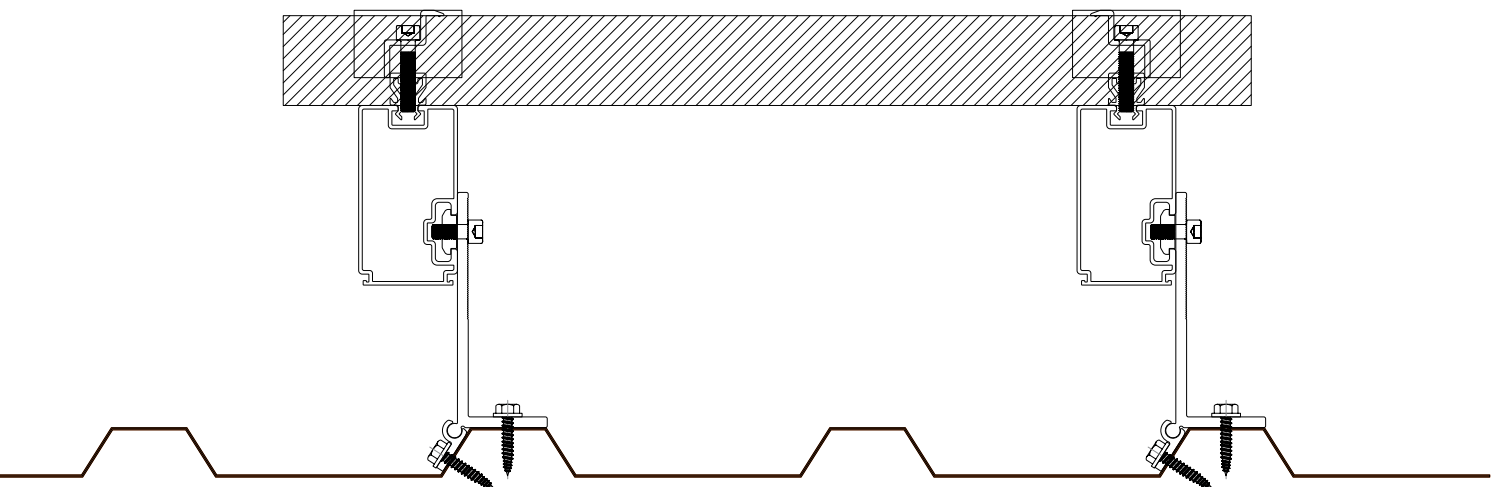


Code: AK-5414

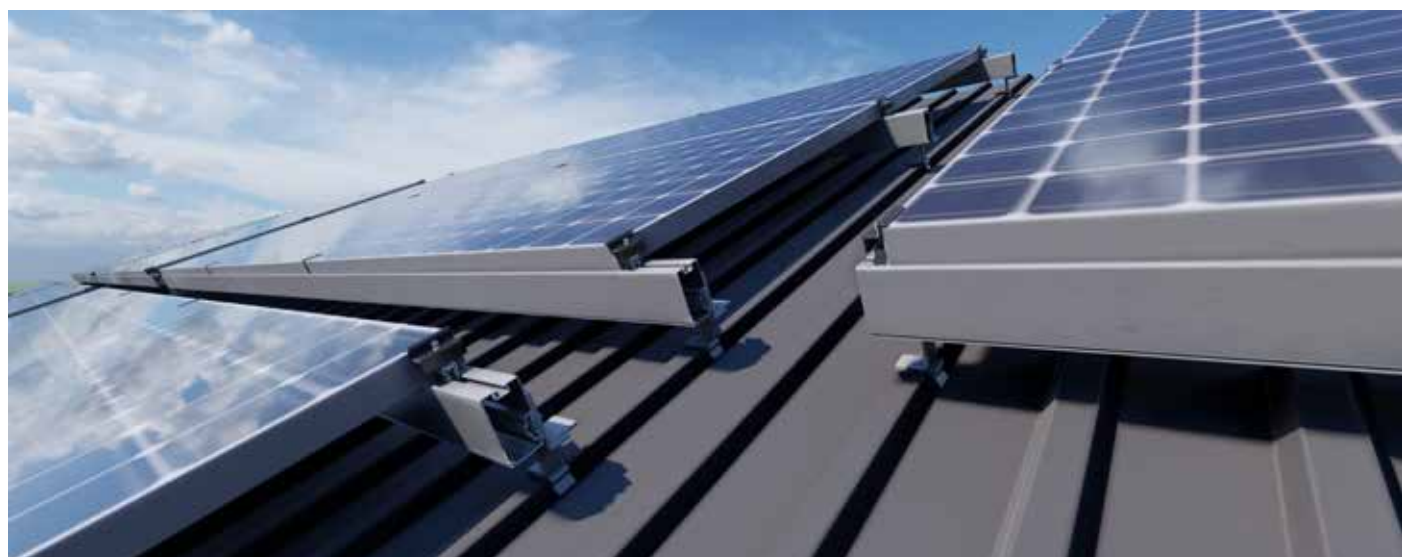
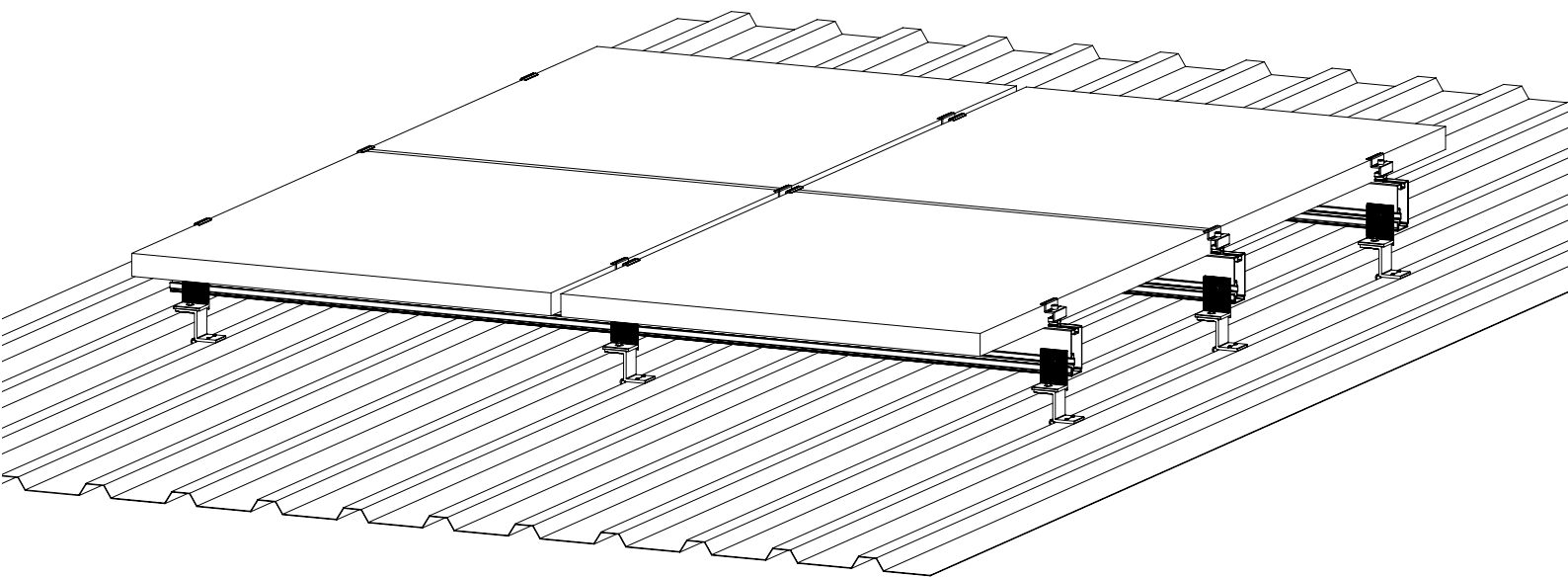
Horizontal Application



Vertical Application



TRAPEZOIDAL METAL ROOF / SANDWICH PANEL MOUNTING SYSTEMS

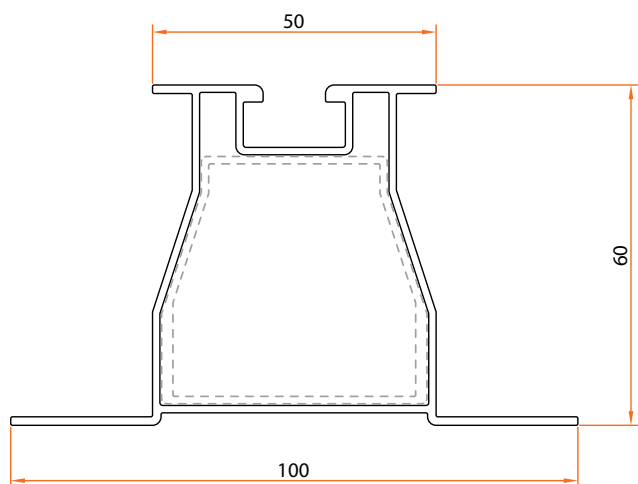




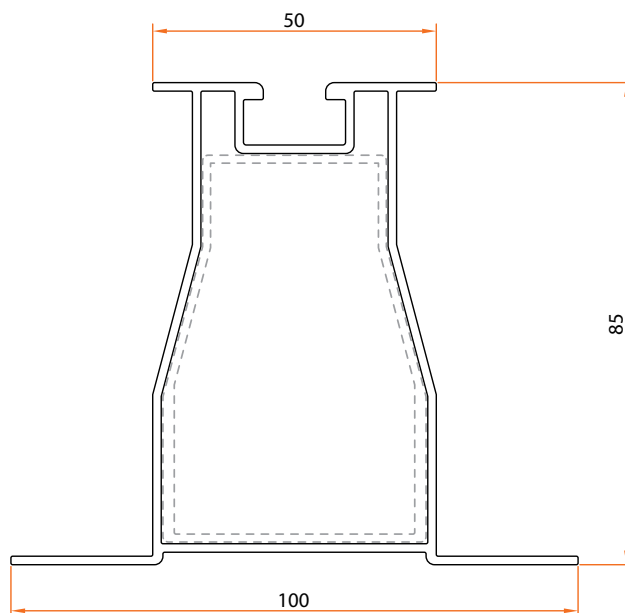
BTS
ALUMINIUM



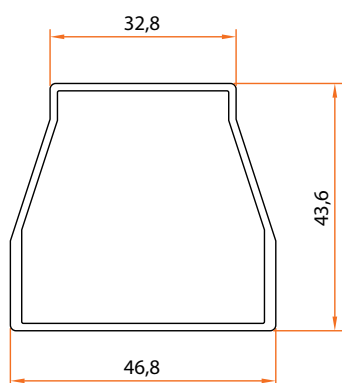
TRAPEZOIDAL METAL ROOF / SANDWICH PANEL MOUNTING SYSTEMS



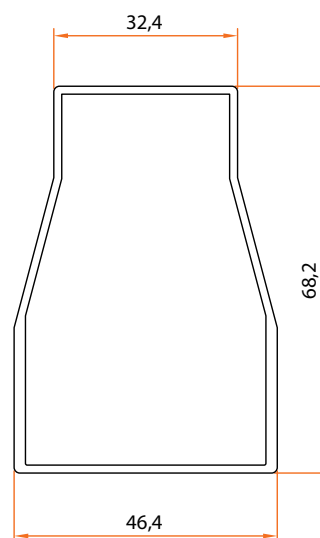
Code: **1417**
1,109 kg/m



Code: **1418**
1,431 kg/m

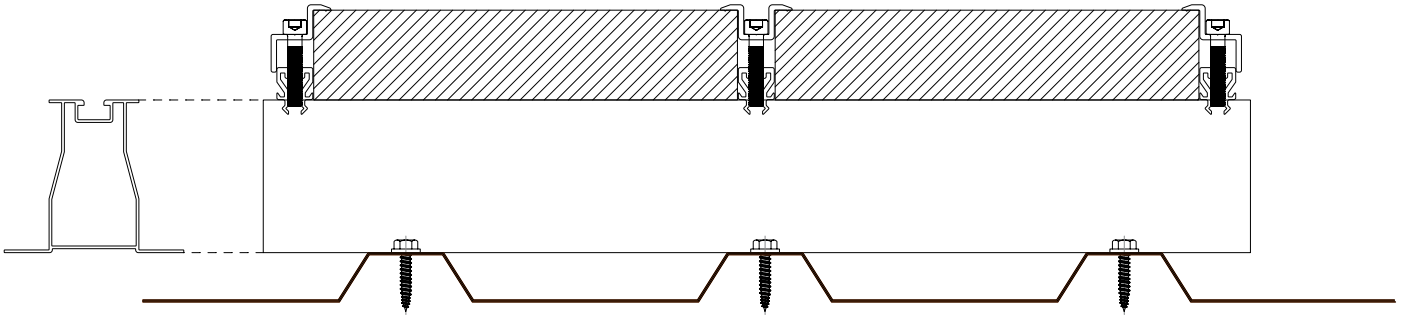


Code: **1431**
0,633 kg/m

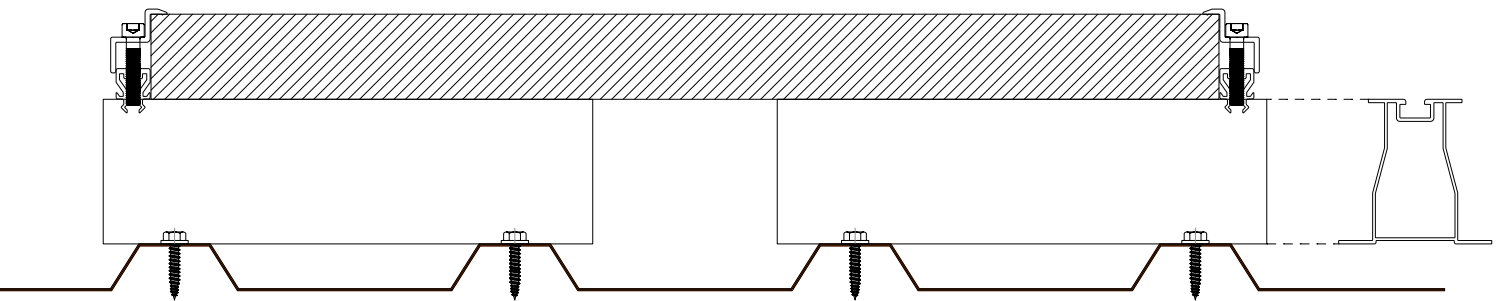


Code: **1432**
0,882 kg/m

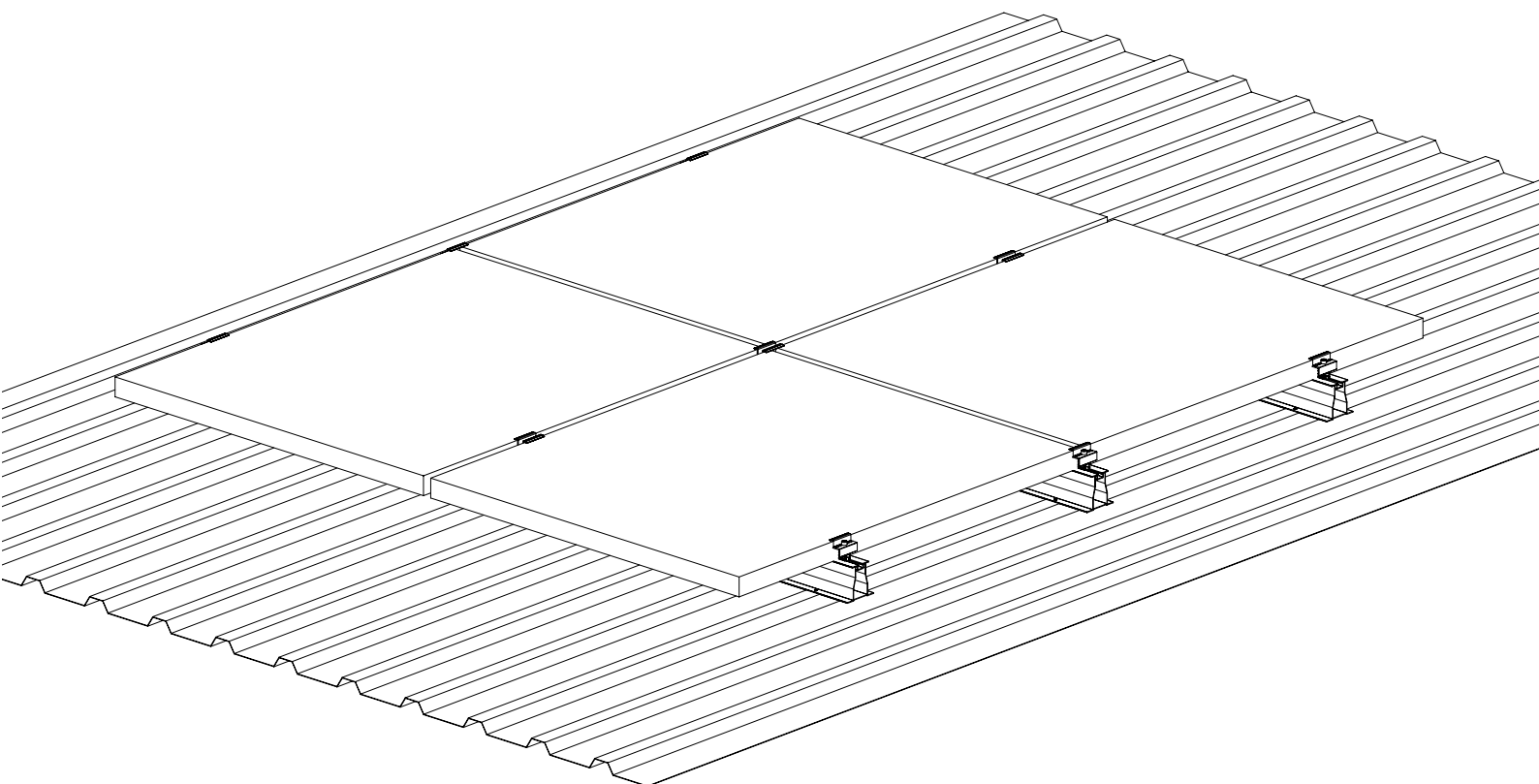
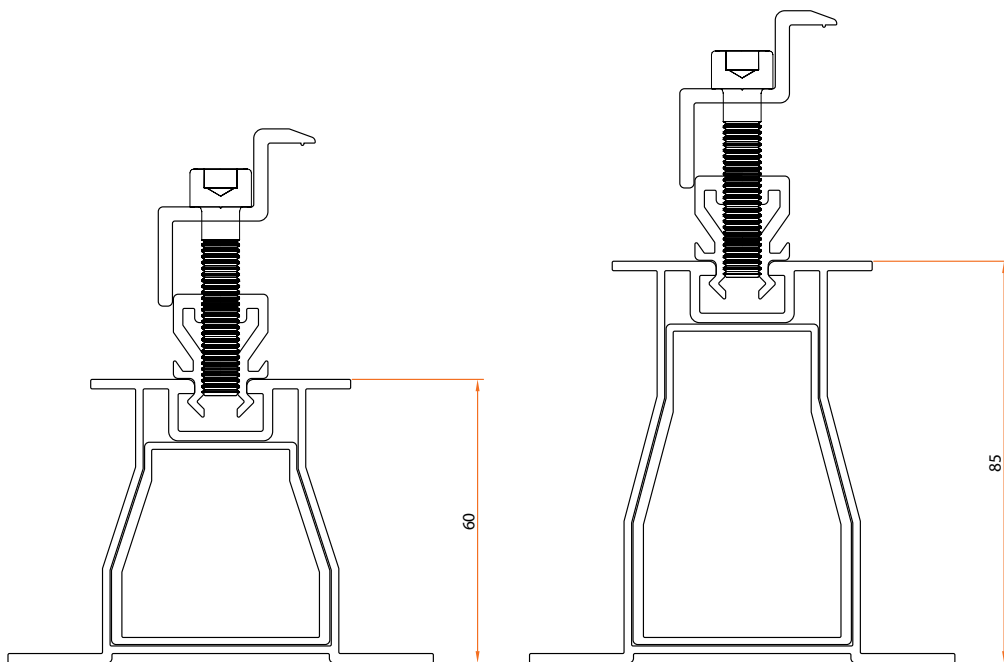
Full Length Profile Application



Piece by Piece Application



TRAPEZOIDAL METAL ROOF / SANDWICH PANEL MOUNTING SYSTEMS



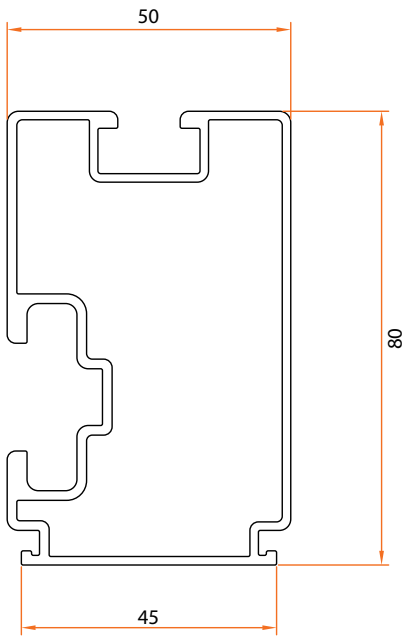


BTS
ALUMINIUM

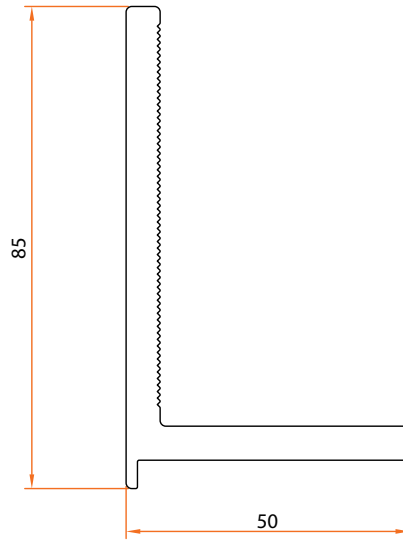


METAL SHEET ROOF MOUNTING SYSTEM

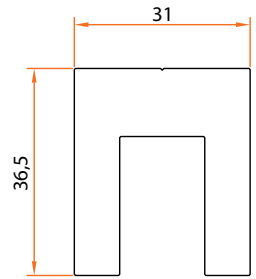
METAL SHEET ROOF MOUNTING SYSTEM



Code: **1430**
1,518 kg/m

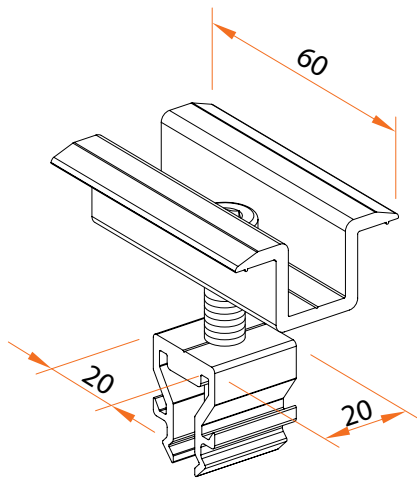


Code: **1413**
2,002 kg/m

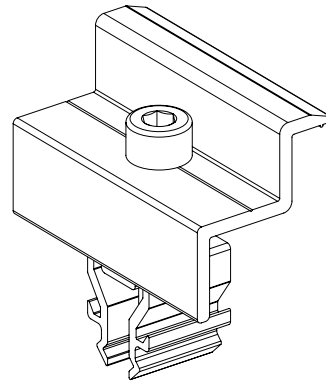


Code: **1438**
2,070 kg/m

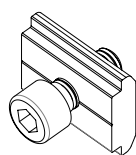
CLAMPS



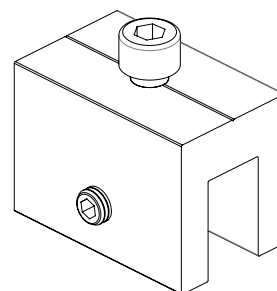
Code: **AK-5410**



Code: **AK-5411**



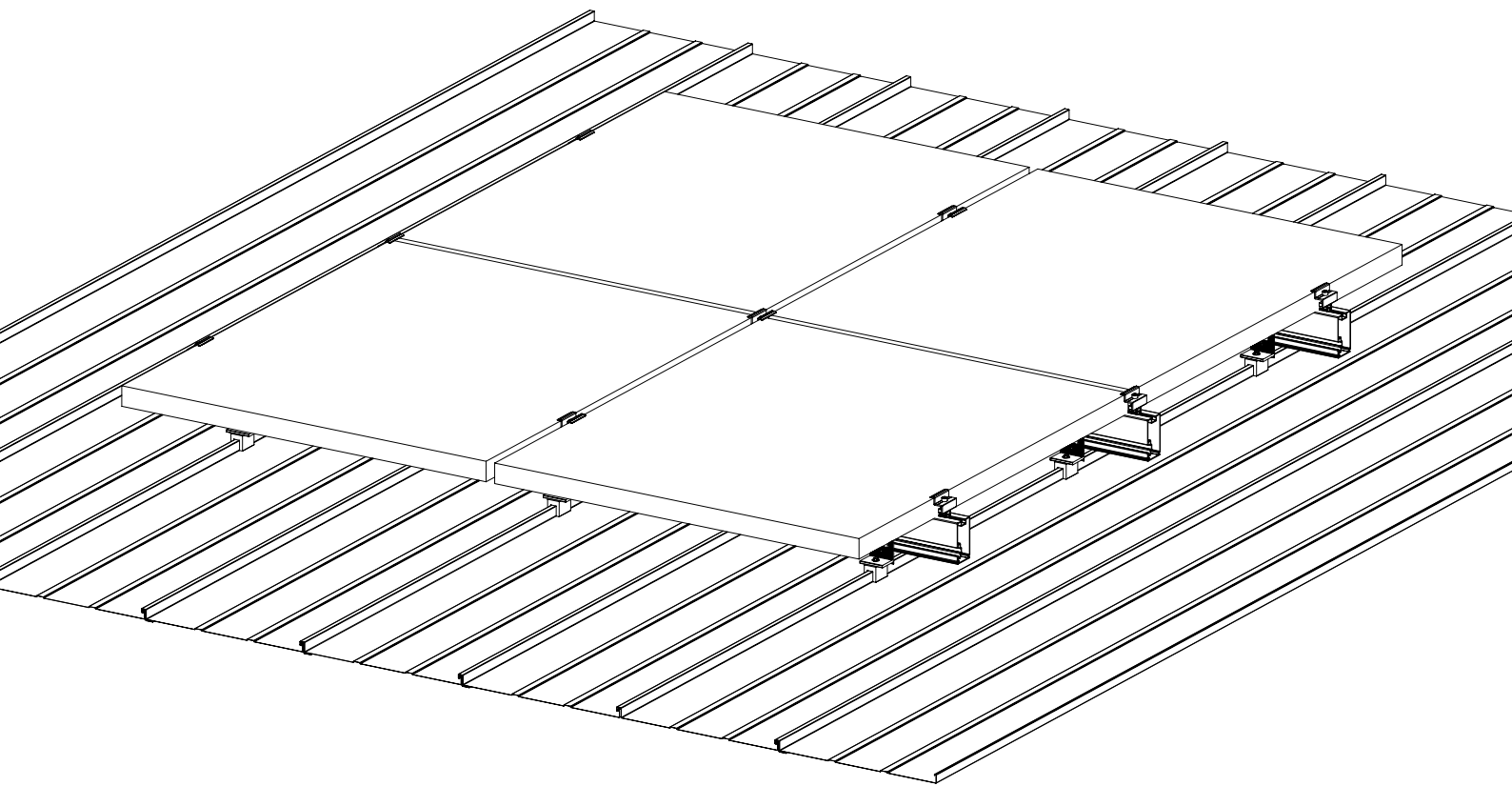
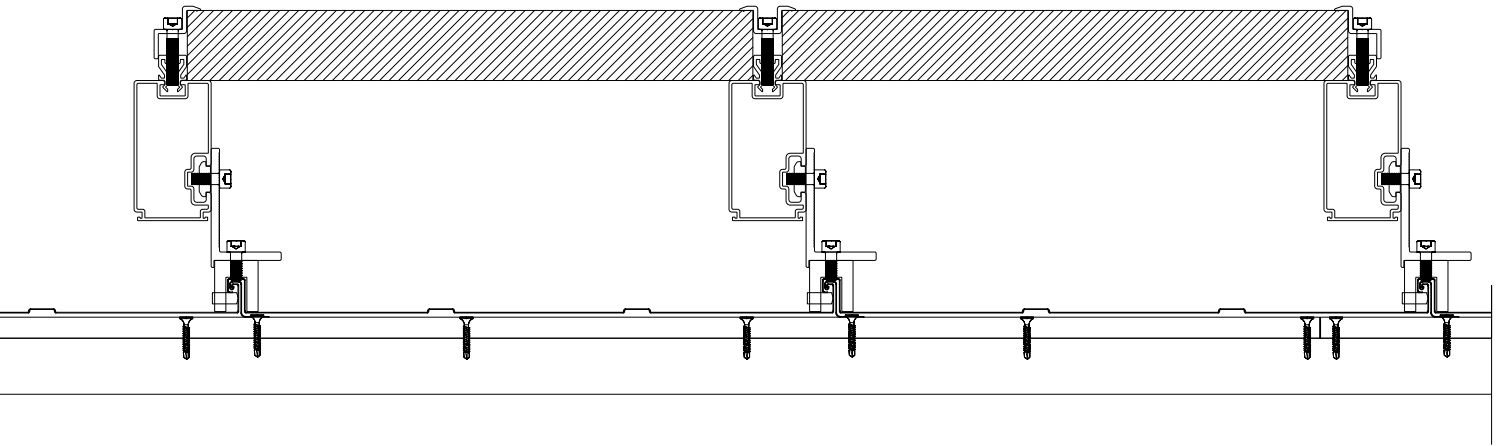
Code: **AK-5414**



Code: **AK-5415**



BTS
ALUMINIUM



METAL SHEET ROOF MOUNTING SYSTEM



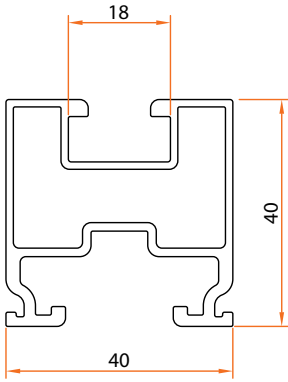


BTS
ALUMINIUM

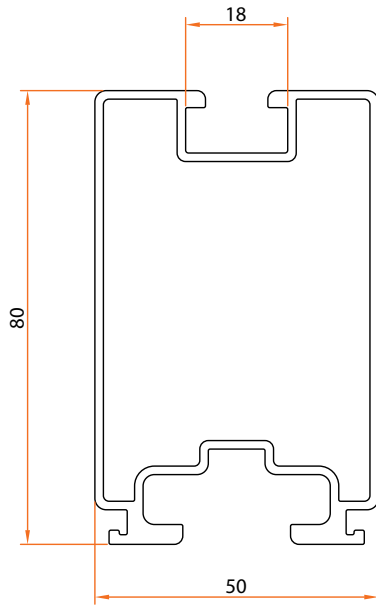
LAND TYPE MOUNTING SYSTEM



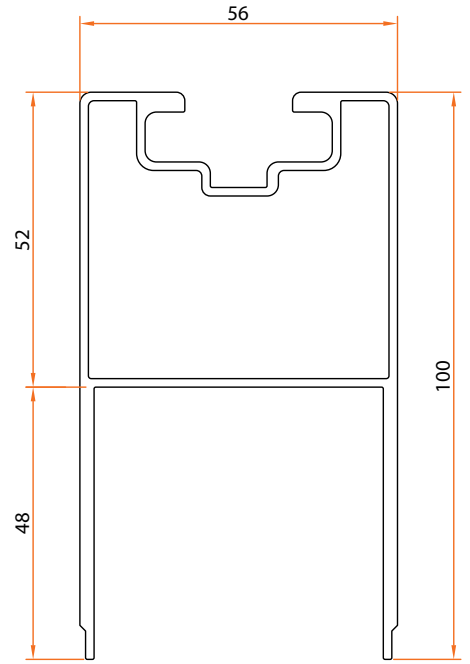
LAND TYPE MOUNTING SYSTEM



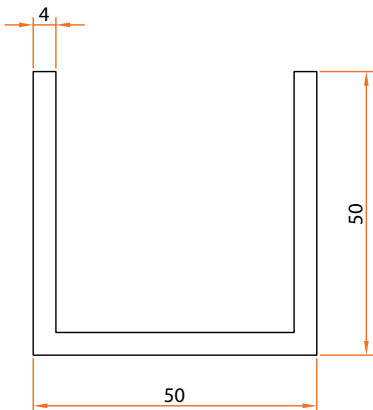
Code: **1424**
0,914 kg/m



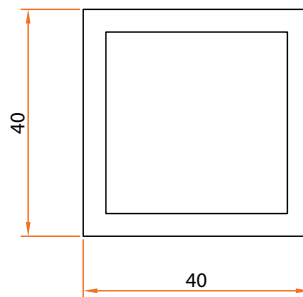
Code: **1433**
1,453 kg/m



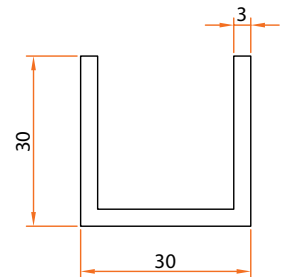
Code: **1434**
1,735 kg/m



Code: **1435**
1,539 kg/m

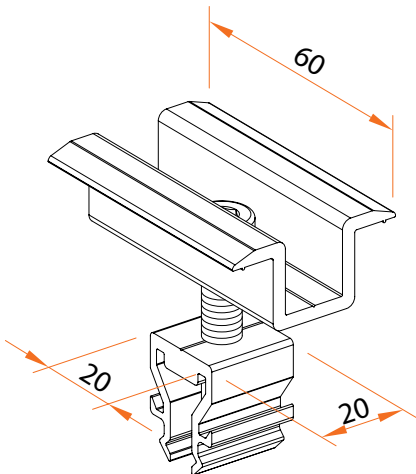


Code: **1436**
1,561 kg/m

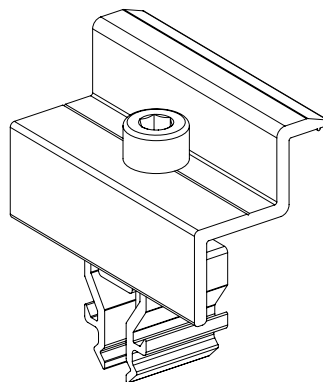


Code: **1437**
0,683 kg/m

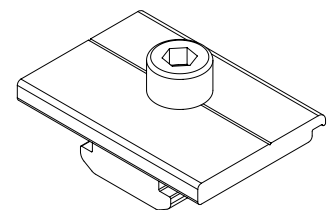
CLAMPS



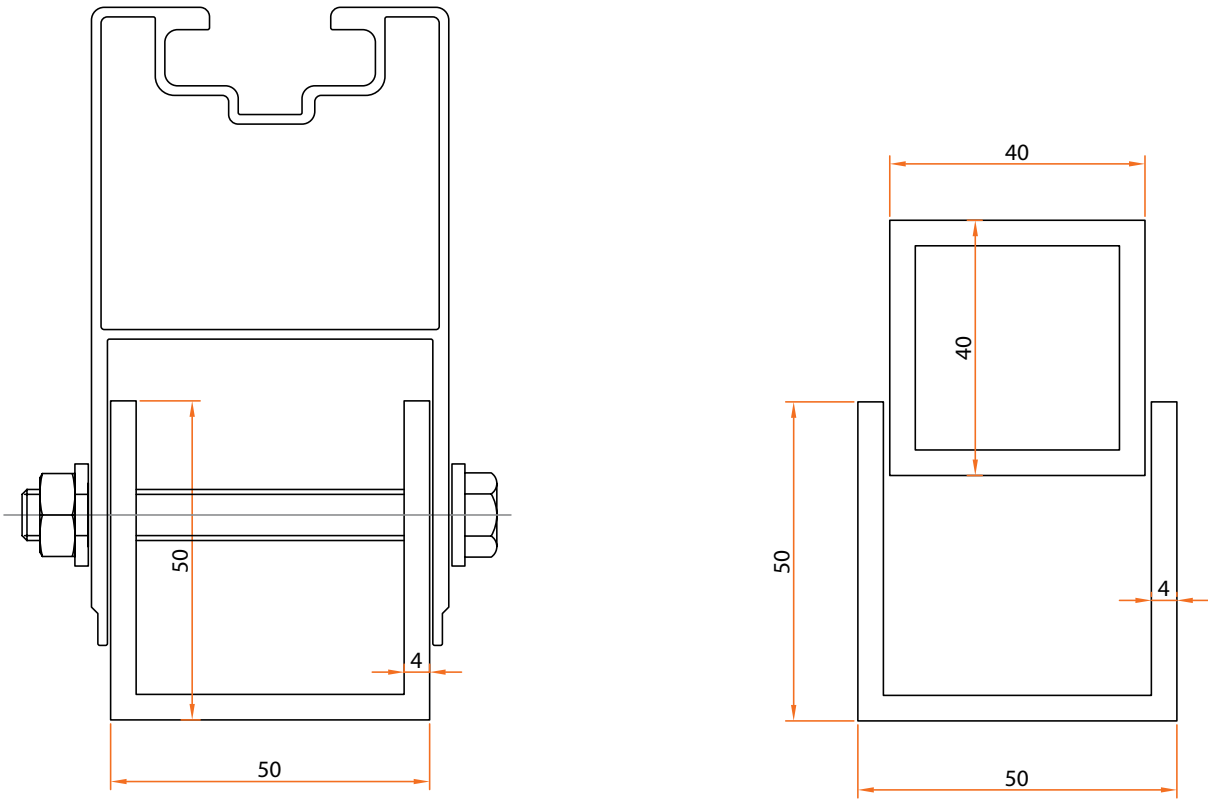
Code: **AK-5410**



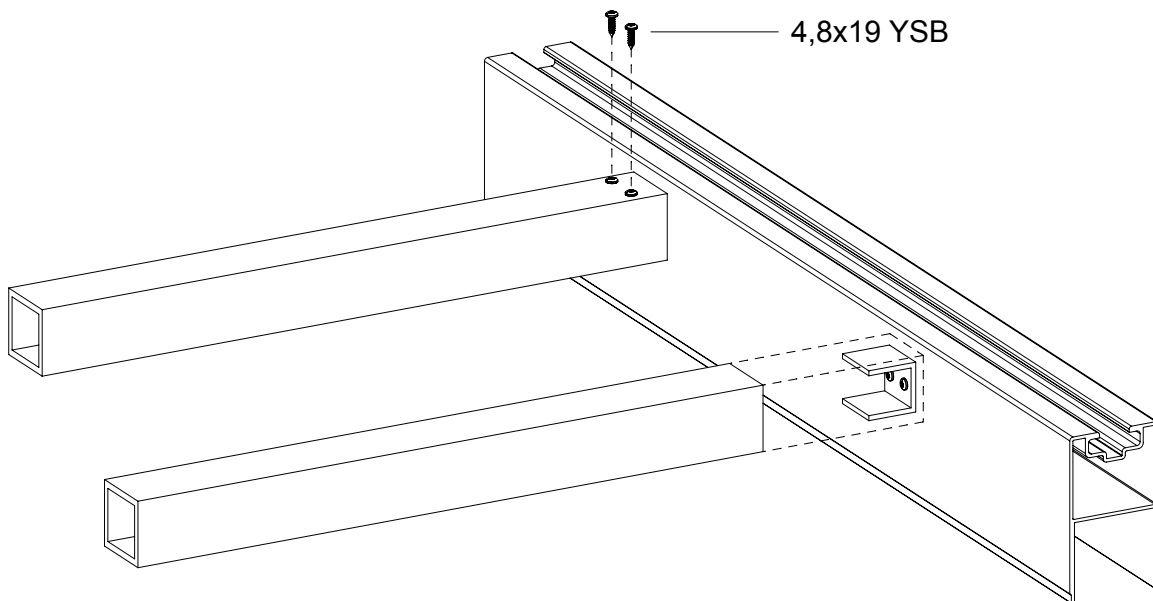
Code: **AK-5411**



Code: **AK-5412**



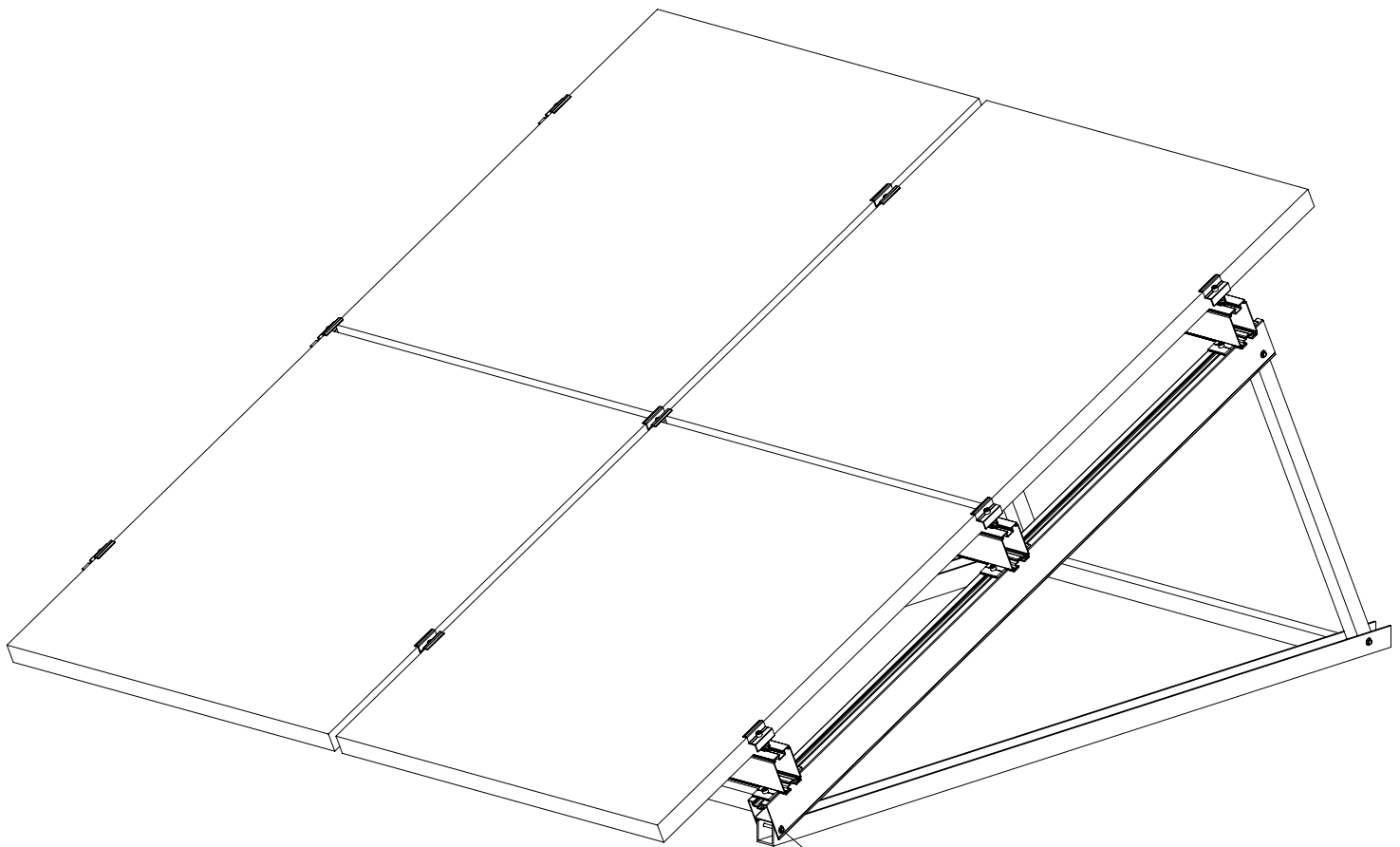
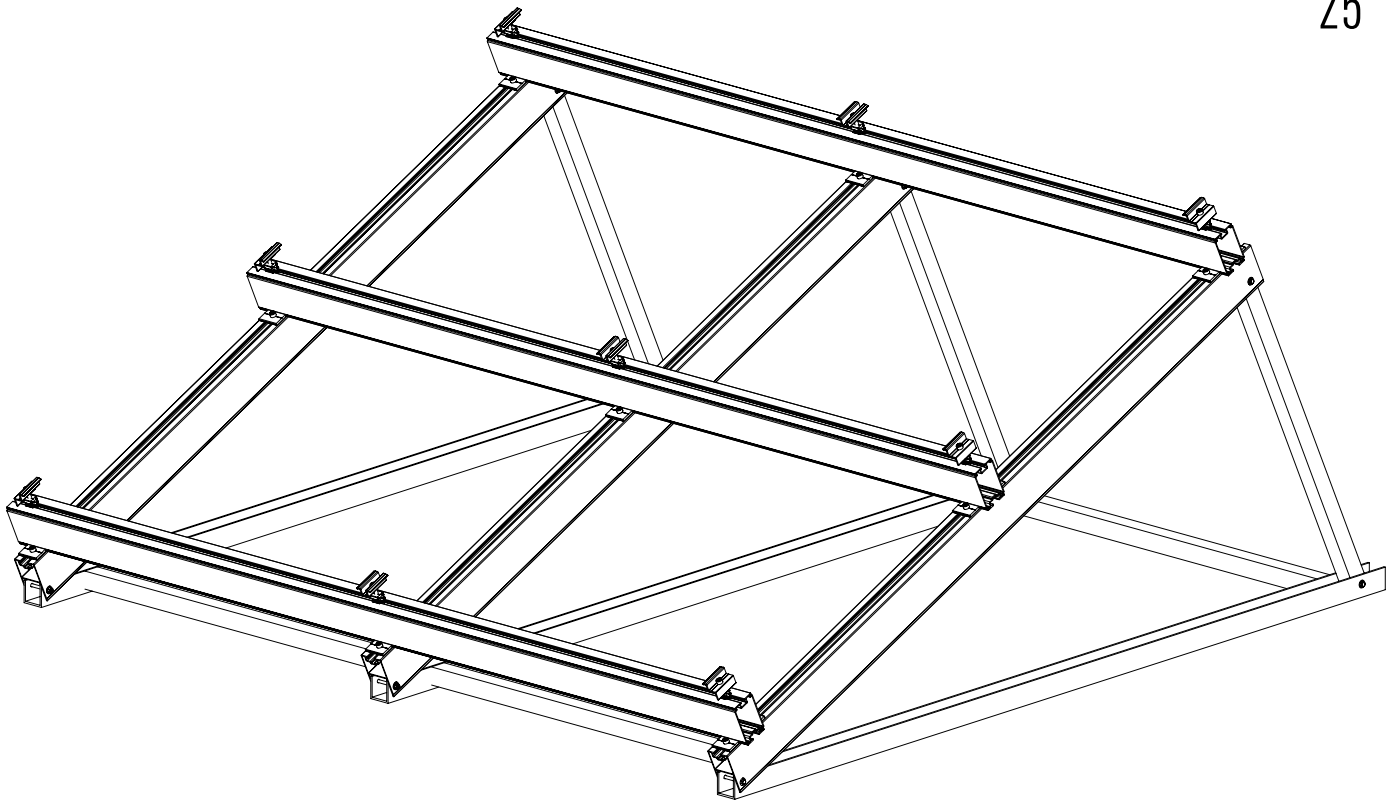
MULLION MOUNTING



LAND TYPE MOUNTING SYSTEM

FIELD INSTALLATION-1

25°

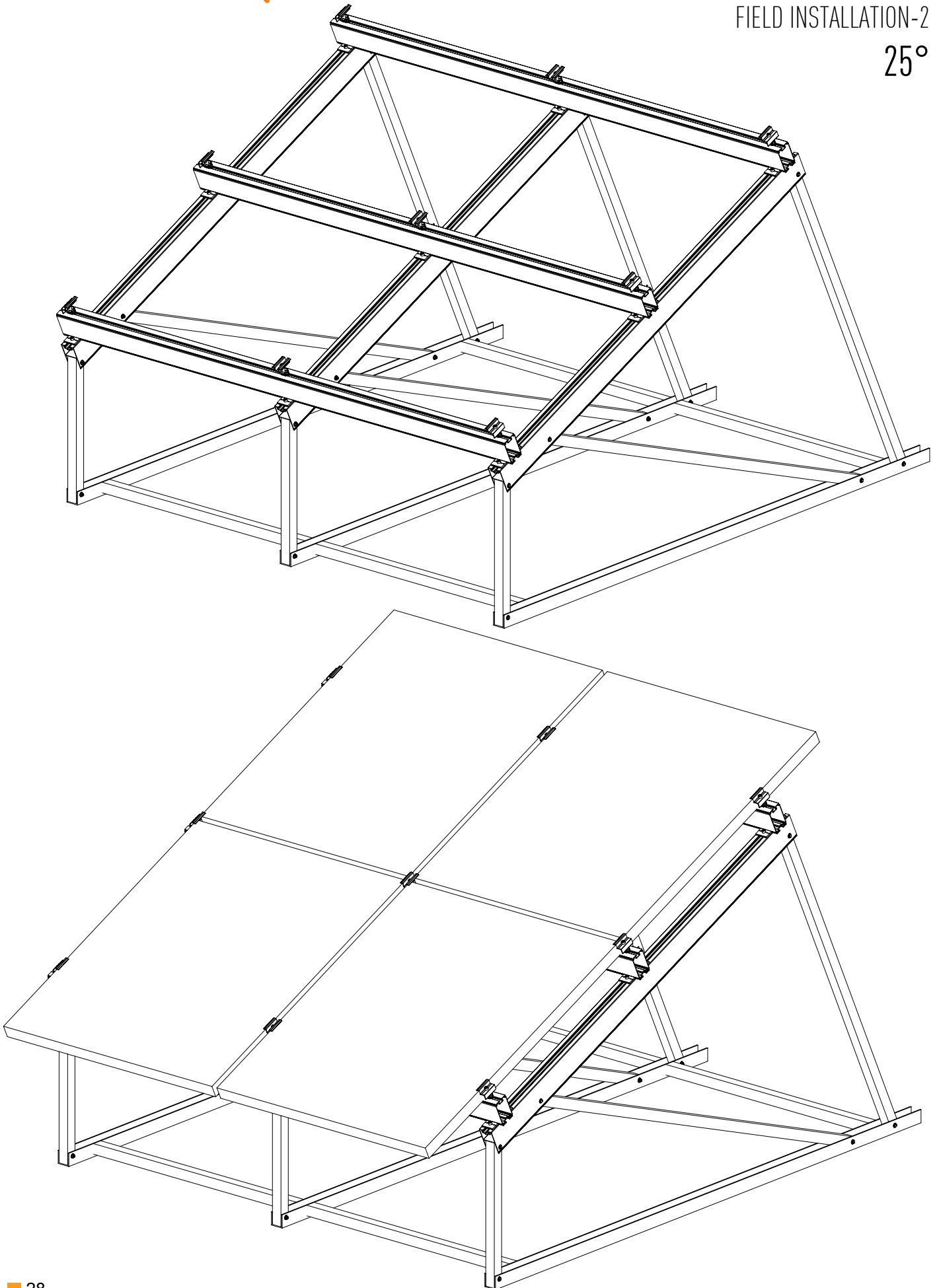


M10 Nut Bolt



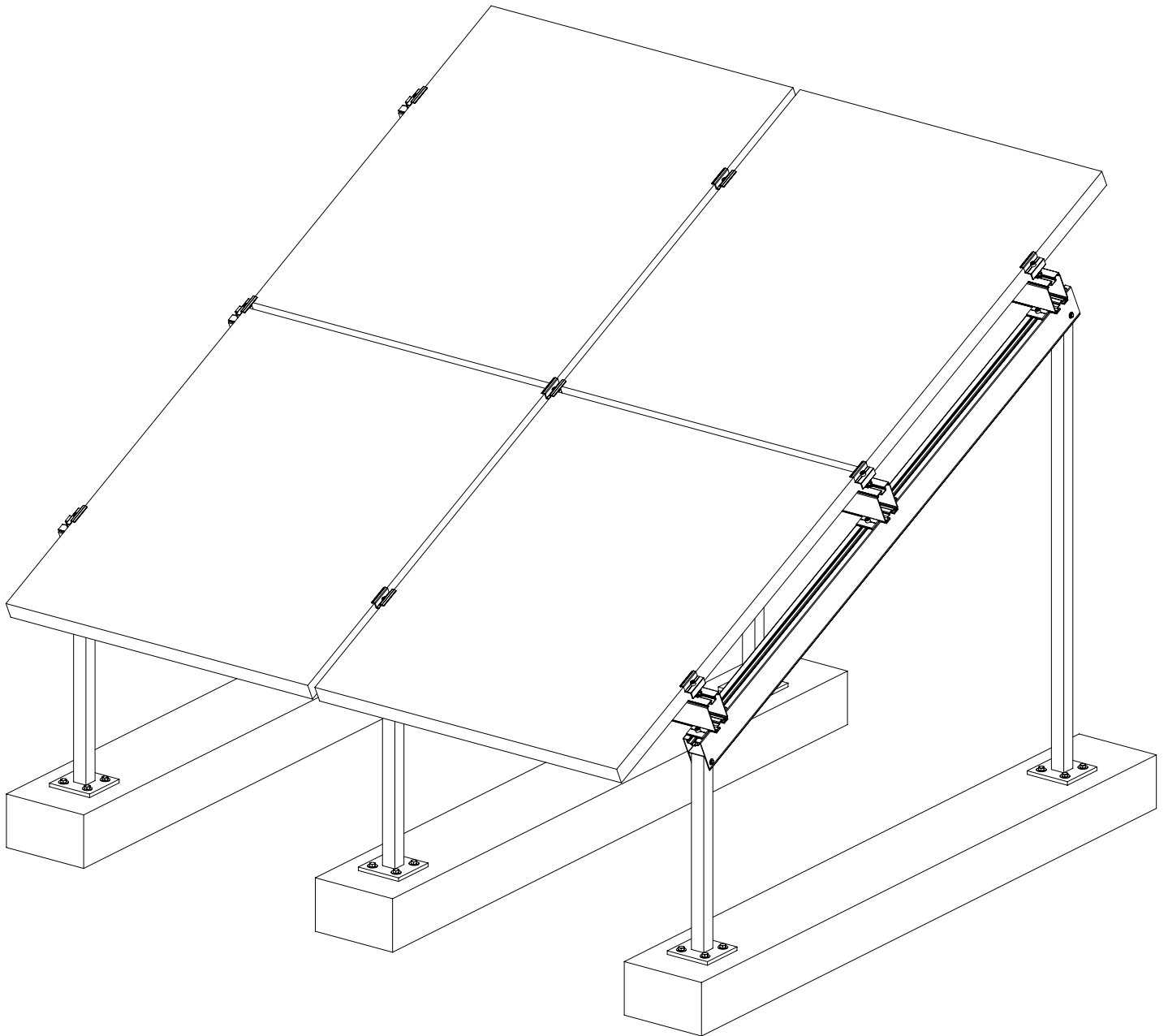
BTS
ALUMINIUM

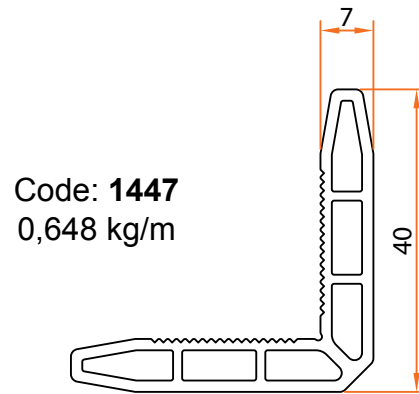
FIELD INSTALLATION-2
25°



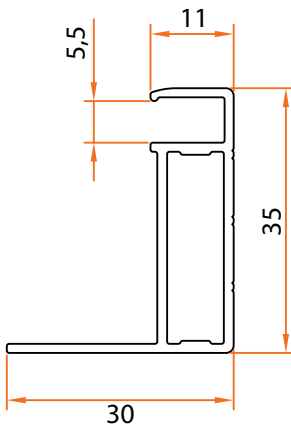
LAND TYPE MOUNTING SYSTEM

FIELD INSTALLATION-3

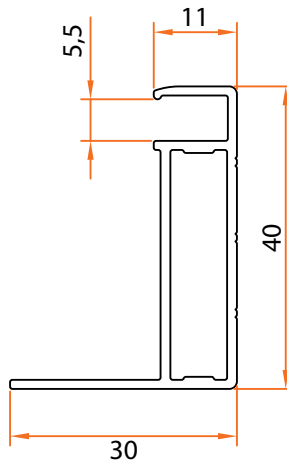




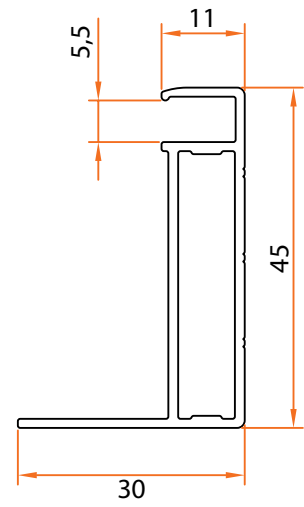
Code: **1447**
0,648 kg/m



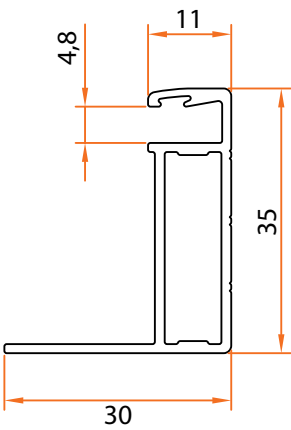
Code: **1446**
0,374 kg/m



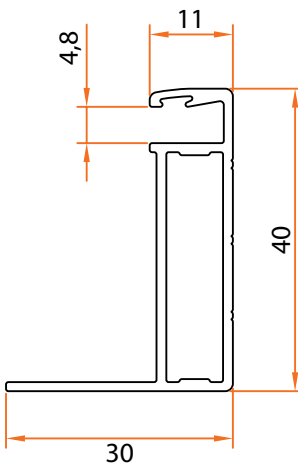
Code: **1449**
0,409 kg/m



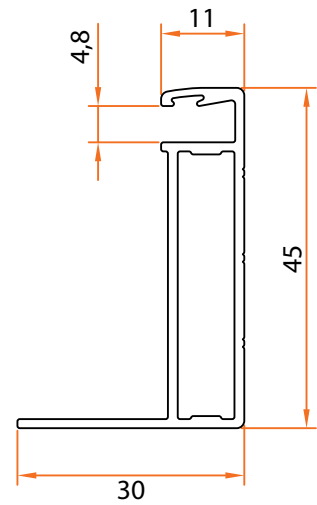
Code: **1450**
0,444 kg/m



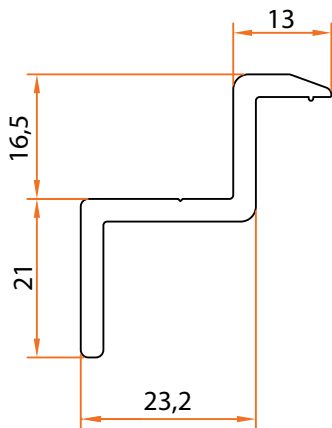
Code: **1448**
0,385 kg/m



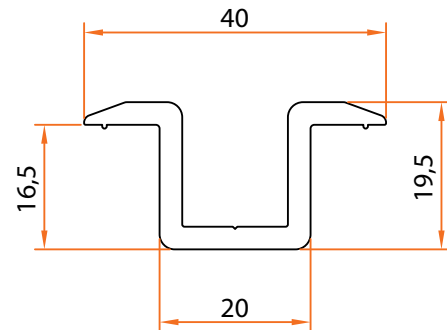
Code: **1451**
0,420 kg/m



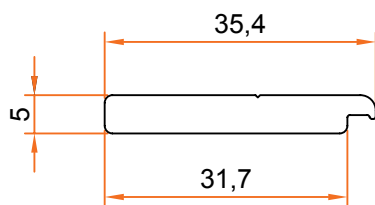
Code: **1452**
0,455 kg/m



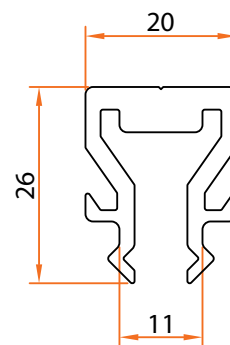
Code: **1419**
0,530 kg/m



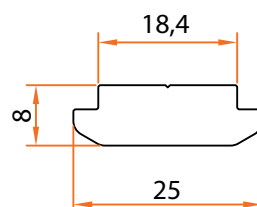
Code: **1420**
0,555 kg/m



Code: **1421**
0,453 kg/m



Code: **1422**
0,585 kg/m



Code: **1423**
0,462 kg/m



Code: **AK-5410**
Mill Finish



Code: **AK-5410BA**
Black Anodized



Code: **AK-5410NA**
Natural Anodized



Code: **AK-5411**
Mill Finish



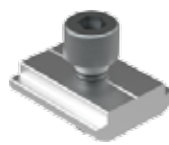
Code: **AK-5411BA**
Black Anodized



Code: **AK-5411NA**
Natural Anodized



Code: **AK-5412**



Code: **AK-5414**



Code: **AK-5415**



Code: **AK-5413**



BTS
ALUMINIUM



■ **Headquarters**

Mermerciler Sanayi Sitesi 7. Cd. No: 6
Yakuplu / Beylikdüzü / İstanbul / Türkiye

T : +90 212 875 17 14 - 876 50 88 - 876 50 89
F : +90 212 876 08 95

■ **Factory (Extrusion)**

Kızılcıkdere OSB 4. Cadde No:7
Kırklareli / Türkiye

T : +90 288 502 32 02 - 288 502 32 04

■ **Branch Office & Retail Sale**

Hürriyet Mh. Dr. Cemil Bengü Cd. Yurt Sk.
No:13 Çağlayan / İstanbul / Türkiye

T : +90 212 247 16 66 - 248 19 81 - 219 35 70
F : +90 212 219 28 39